

Recommended Tools

Air or Hand Ratchet



7/16 & 9/16 Socket



7/16 and 9/16 Combo
or Adjustable Wrench



Drill w/
9/32 & 25/64 Drill Bits



Torque Wrench



1/8" Allen Wrench



Hardware



1/4-20 x 3/4
HWH Screw



1/4-20 x 3/4
HWH Screw GRD B



1/4-20 x 1 1/4
HWH Screw GRD B



1/4-20 x 3/4
Carriage Bolt



1/4-20 x 2 1/2
Hex Head Screw
(USED WITH PLUSNUT TOOL)



1/4-20 Plusnut
(Pre Bulb)



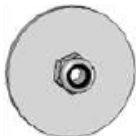
Plusnut Tool



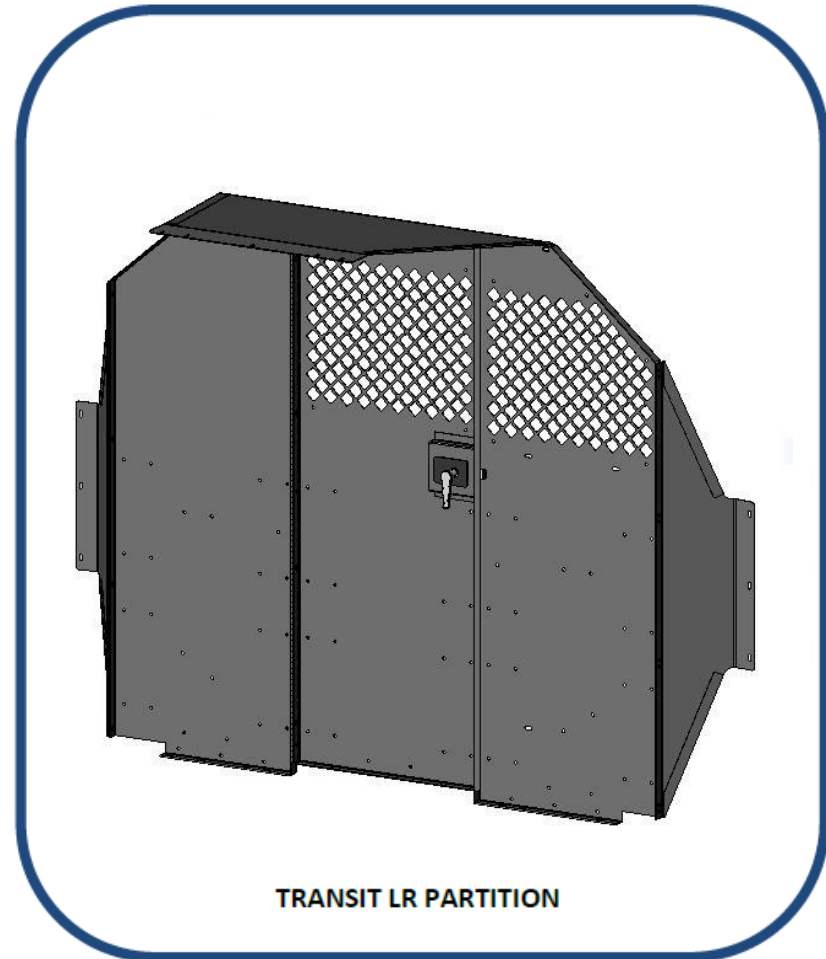
1/4-20
E-Stop Nut



1/4
Lock washer



1/4-20 E-Stop Nut
w/Attached Fender Washer

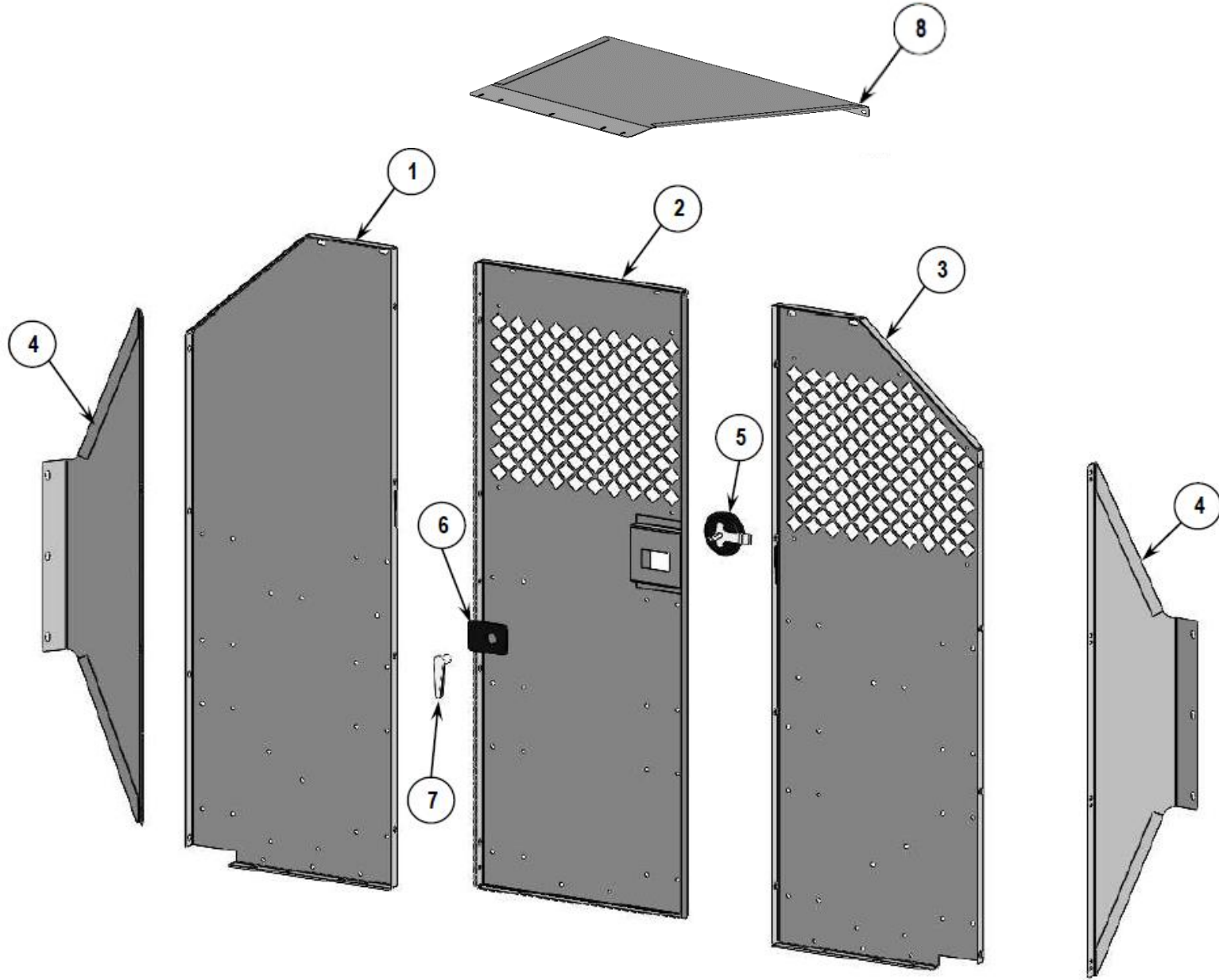


TRANSIT LR PARTITION

BEFORE INSTALLATION PLEASE REVIEW THIS ENTIRE DOCUMENT,
UNTIL YOU ARE COMPLETELY FAMILIAR WITH ALL STEPS BEFORE BEGINNING. A "PRACTICE RUN" OF THESE STEPS / PROCEDURES
MAY BE HELPFUL TO ASSIST YOU IN FAMILIARIZING YOURSELF THOROUGHLY, AND AVOIDING COSTLY ERRORS.

TRANSIT LR PARTITION

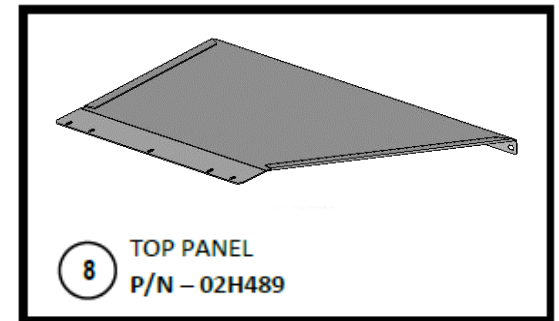
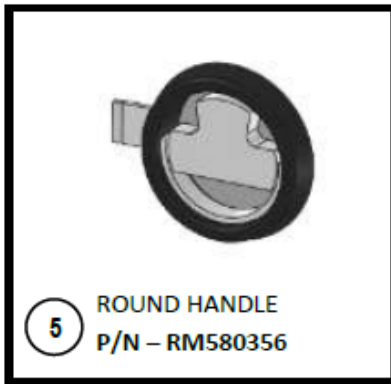
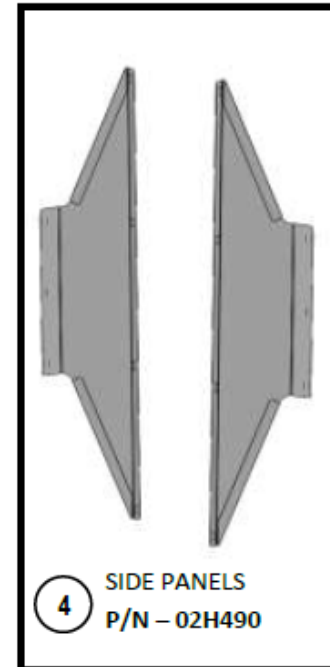
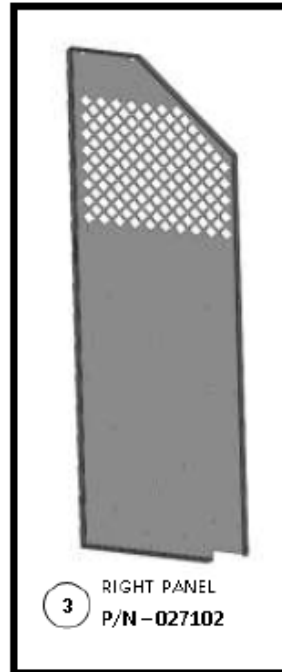
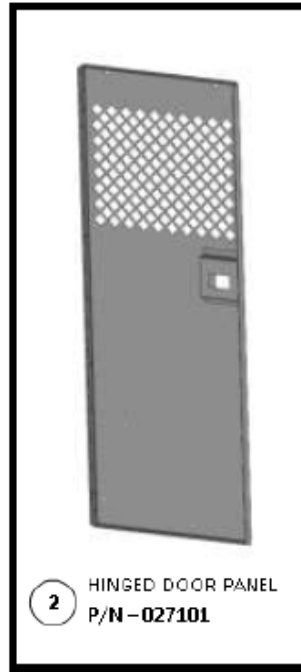
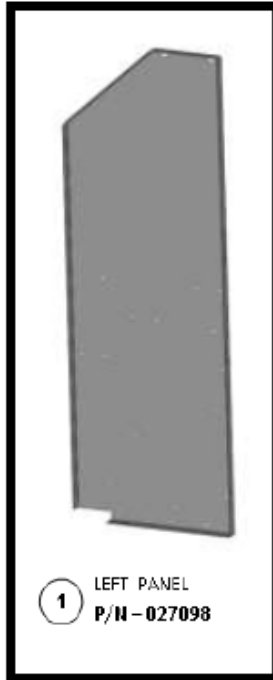
ASSEMBLY / INSTALLATION INFORMATION



TRANSIT LR PARTITION

ASSEMBLY / INSTALLATION INFORMATION

COMPONENTS



TRANSIT LR PARTITION

ASSEMBLY / INSTALLATION INFORMATION

APPLICABLE TO PARTITIONS WITH
FIXED CENTER PANEL

ASSEMBLING LEFT, CENTER and RIGHT PANELS

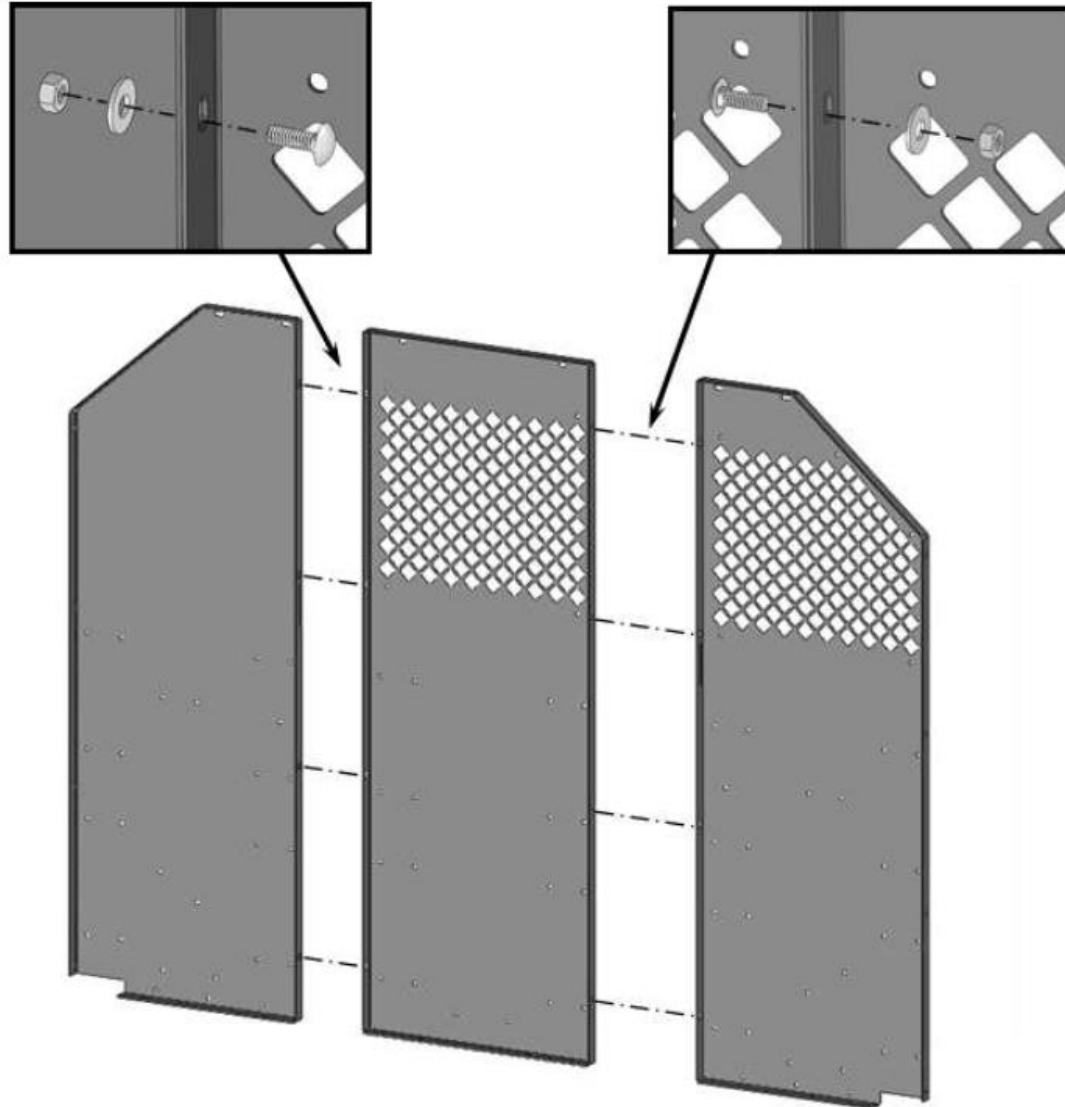
Align holes in Panels as shown and
secure using:

- (8) 1/4-20 x 3/4 Carriage Bolts
- (8) 1/4 Flat Washers
- (8) 1/4-20 E-Stop Nuts

TORQUE SETTING:
Size - 1/4 = 7 - 9.5 Ft.-Lbs.



FIXED CENTER PANEL
P/N - 000000

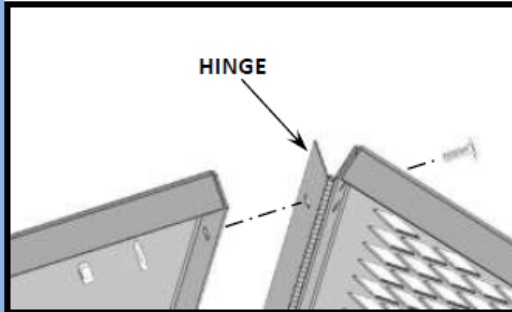


TRANSIT LR PARTITION

ASSEMBLY / INSTALLATION INFORMATION

APPLICABLE TO PARTITIONS WITH HINGED DOOR

ATTACHING LEFT PANEL

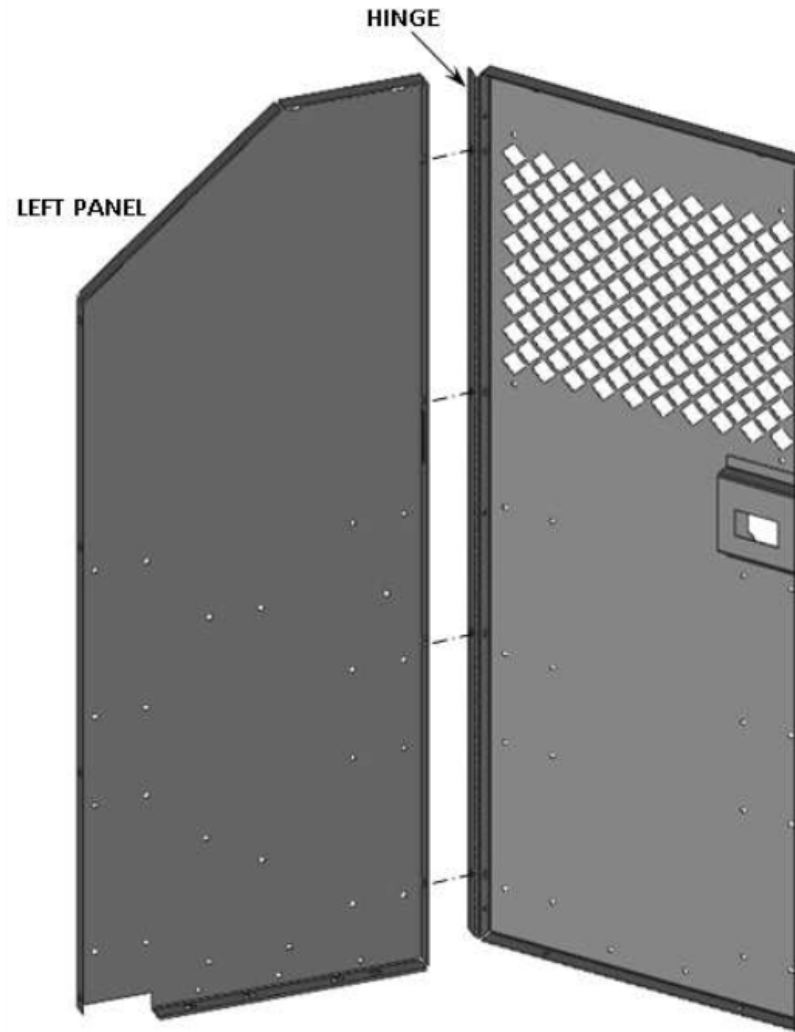


Align holes in Hinge on Door as shown and secure using:

- (4) 1/4-20 x 3/4 Carriage Bolts
- (4) 1/4 Flat Washers
- (4) 1/4-20 E-Stop Nuts

TORQUE SETTING:

Size - 1/4 = 7 - 9.5 Ft.-Lbs.



TRANSIT LR PARTITION

ASSEMBLY / INSTALLATION INFORMATION

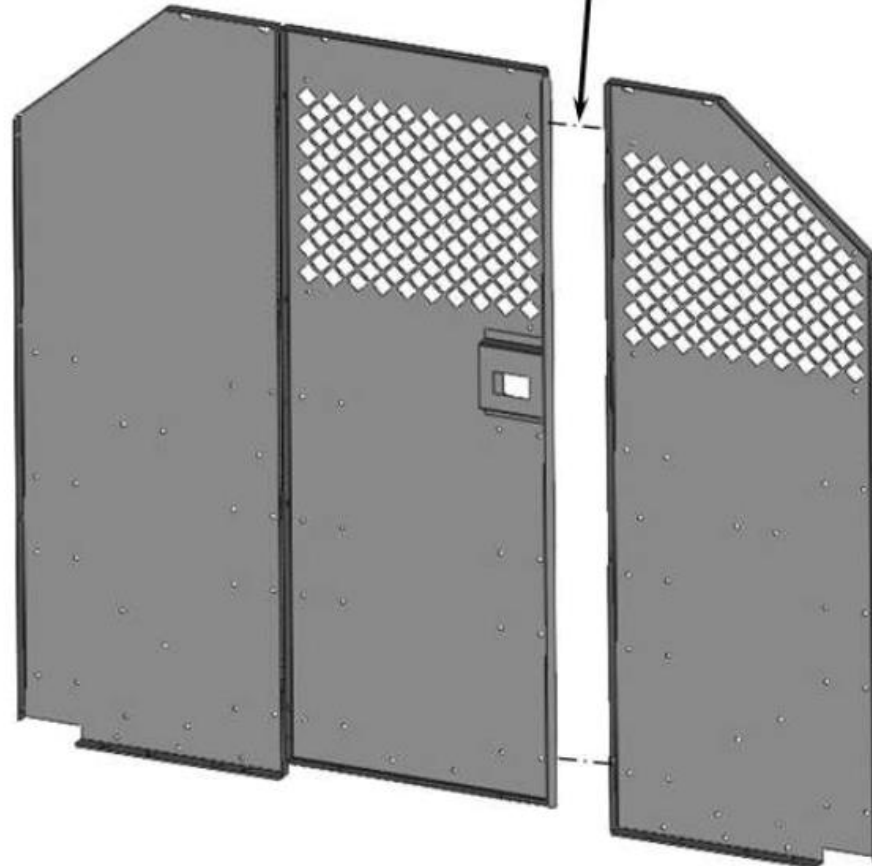
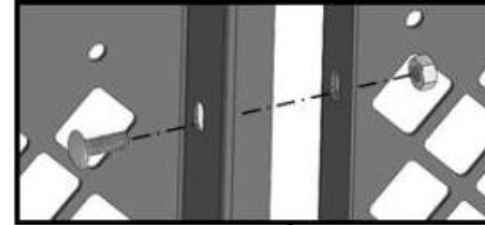
APPLICABLE TO PARTITIONS WITH HINGED DOOR

TEMPORARILY SECURING RIGHT PANEL

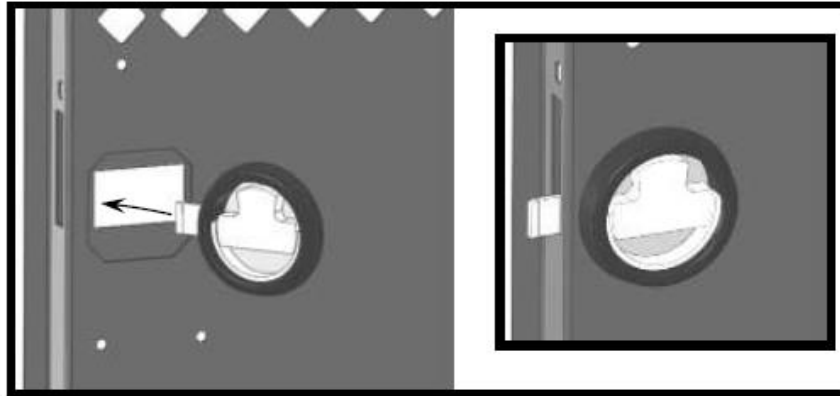
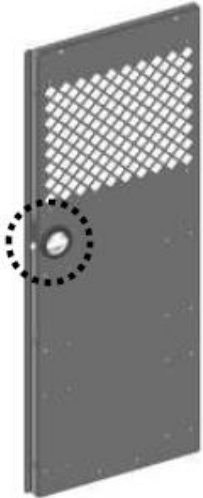
Align holes in Right Panel as shown
and secure using:
(2) 1/4-20 x 3/4 Carriage Bolts
(2) 1/4-20 E-Stop Nuts

NOTE:

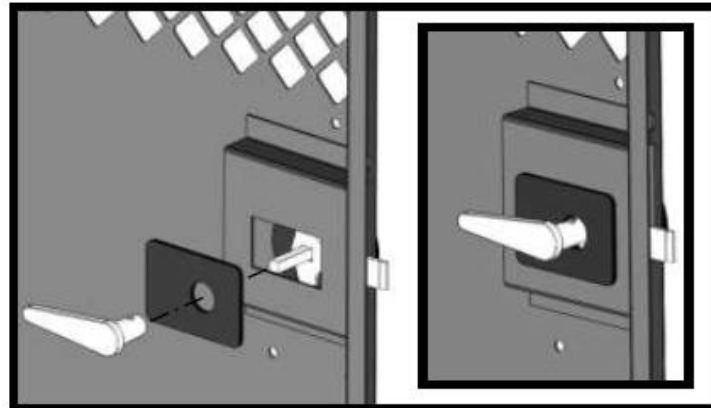
THIS HARDWARE WILL BE REMOVED AFTER
ASSEMBLY AND INSTALLATION IS COMPLETED



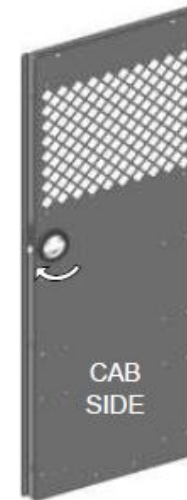
ATTACHING HANDLE



Insert the Round Handle into door cutout, so that the locking mechanism fits through the slot in the Center Panel. **NOTE: Be sure the Locking Mechanism is parallel to the floor before attaching the inside Handle.**



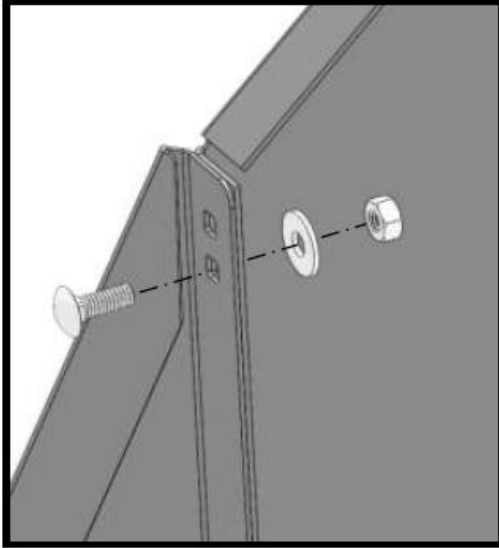
Attach the Plastic Latch Cover Plate and the Chrome inside Handle firmly to the back of the Round Handle. **Be sure the inside handle is parallel to the floor, but facing the opposite direction of the locking mechanism.**



Once the handle is installed, turn clockwise to open from the outside, and counter clockwise to open from the inside.

ATTACHING PANEL KIT

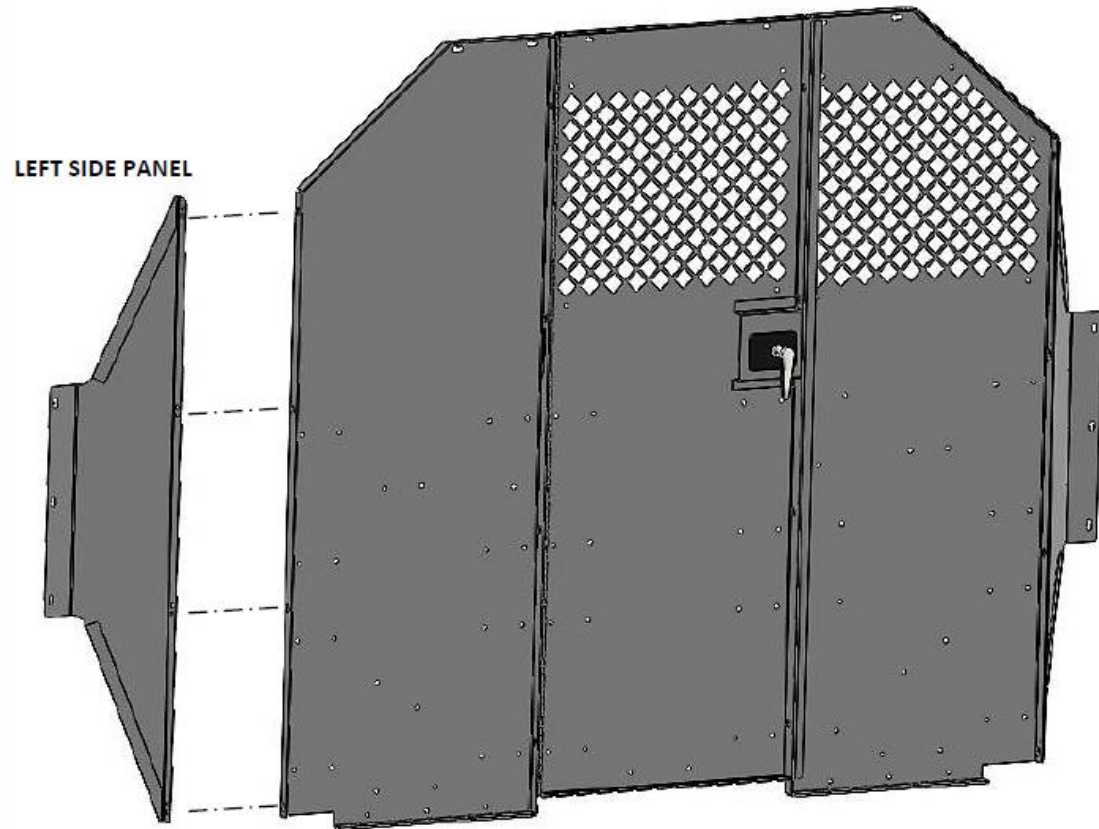
ATTACHING LEFT SIDE PANEL



Align holes in Left Panel as shown and secure using:

- (4) 1/4-20 x 3/4 Carriage Bolts
- (4) 1/4 Flat Washers
- (4) 1/4-20 E-Stop Nuts

TORQUE SETTING:
Size - 1/4 = 7 - 9.5 Ft.-Lbs.

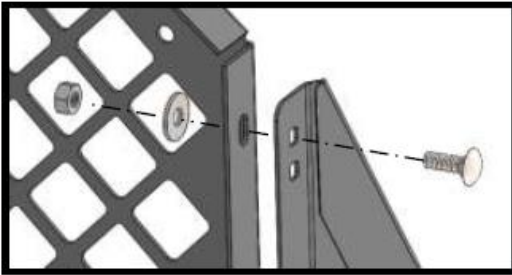


TRANSIT LR PARTITION

ASSEMBLY / INSTALLATION INFORMATION

ATTACHING PANEL KIT

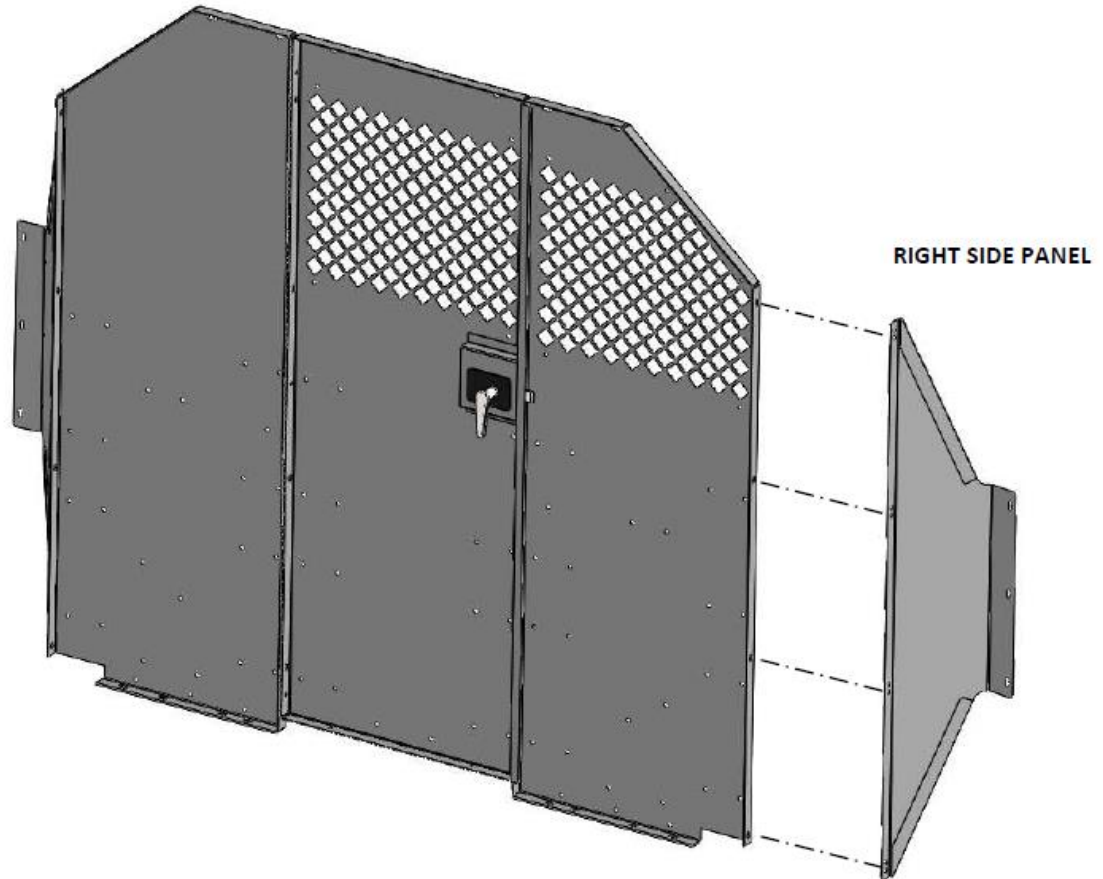
ATTACHING RIGHT SIDE PANEL



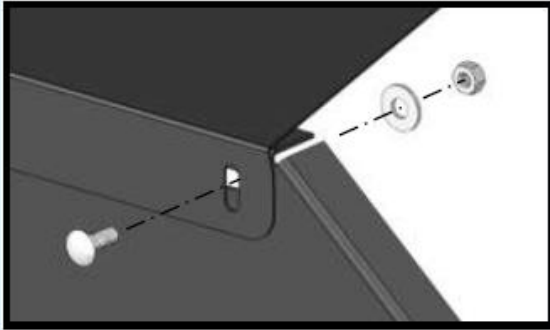
Align holes in Right Panel as shown and secure using:

- (4) 1/4-20 x 3/4 Carriage Bolts
- (4) 1/4 Flat Washers
- (4) 1/4-20 E-Stop Nuts

TORQUE SETTING:
Size - 1/4 = 7 - 9.5 Ft.-Lbs.



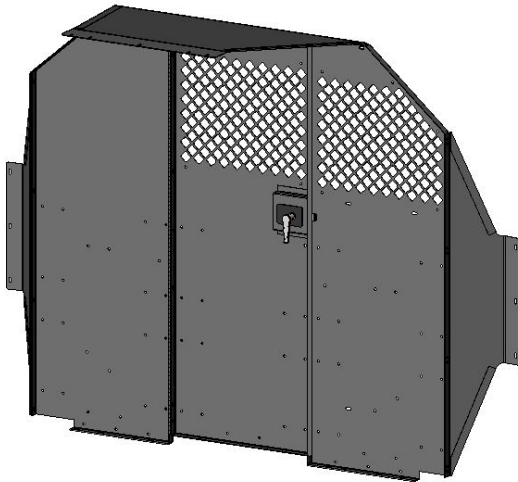
ATTACHING TOP PANEL



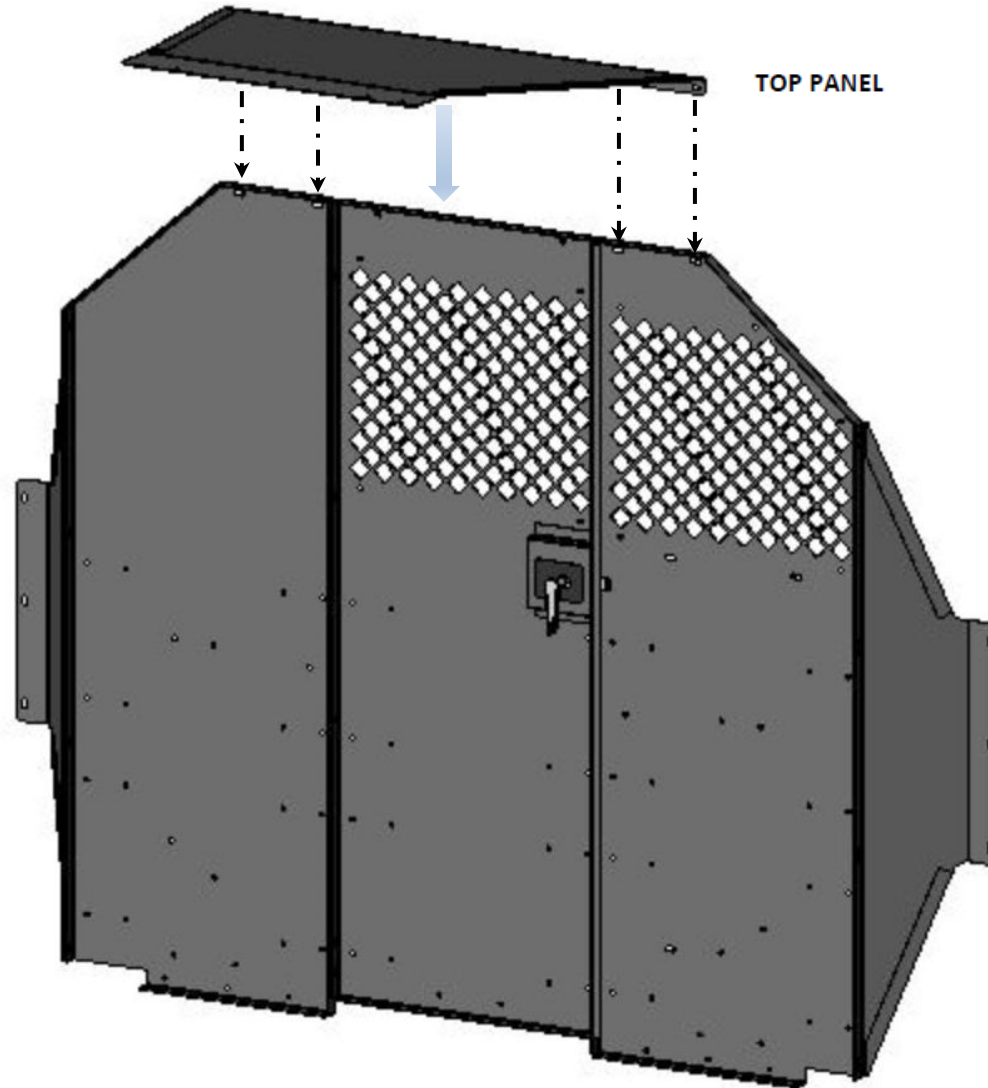
Align holes in Top Panel as shown and secure using:

- (4) 1/4-20 x 3/4 Carriage Bolts
- (4) 1/4 Flat Washers
- (4) 1/4-20 E-Stop Nuts

TORQUE SETTING:
Size - 1/4 = 7 - 9.5 Ft.-Lbs.



ATTACHING PANEL KIT





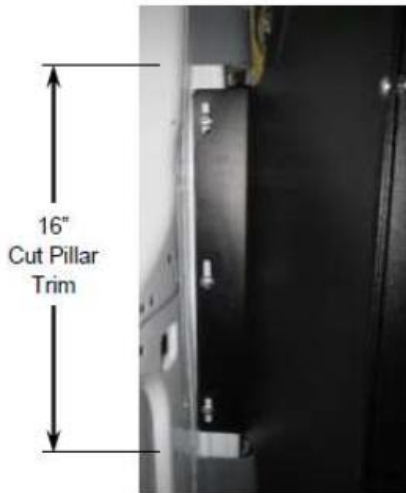
SECURING @ B-PILLARS



Measure Down
2.5"
From Edge of Pillar Trim



Measure Down
3.0"
From Edge of Pillar Trim



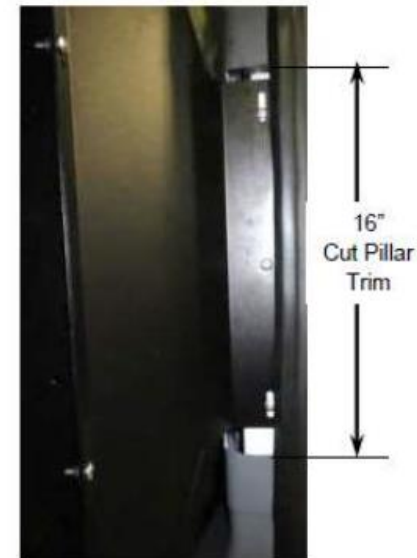
16"
Cut Pillar
Trim

Position assembled partition into van.
Use a 90degree straight edge to align the partition.
Use C-clamps to temporarily secure partition in place.
Mark mounting points on B-Pillars using a hammer and center punch.
For ease of drilling move partition and drill 3/8" pilot holes at locations shown.
Next install Plusnuts (SEE Pg. 16)

(TOTAL OF 6 MOUNTING POINTS)

Replace assembled partition and secure using:
(6) 1/4-20 x 1-1/4 HWH Screws Grd 8
(6) 1/4 Split Lock Washers

TORQUE SETTING:
Size - 1/4 = 7 - 9.5 Ft.-Lbs.



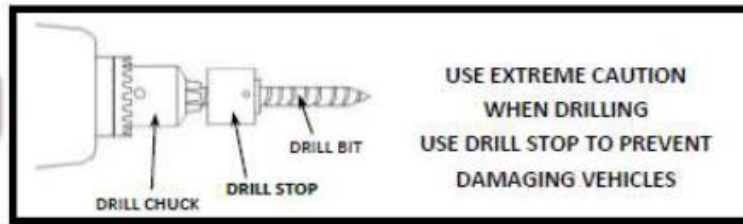
16"
Cut Pillar
Trim

USE EXTREME CAUTION
WHEN DRILLING
USE DRILL STOP TO PREVENT
DAMAGING VEHICLES

SECURING @ FLOOR



With Partition Properly positioned in vehicle,
Mark (6) Mounting Hole Locations
Drill Pilot holes and secure using:
(SEE NEXT PAGE)



USE EXTREME CAUTION
WHEN DRILLING
USE DRILL STOP TO PREVENT
DAMAGING VEHICLES

INSTALLATION METHODS

TORQUE SETTING: Size - 1/4 = 7 - 9.5 Ft.-Lbs.

- 1**
THRU FLOOR
- Secure Using:
 (1) 1/4-20 x 1-1/4 HWH Screw Grd 8
 (1) 1/4 Fender Washer
 (1) 1/4 Flat Washer
 (1) 1/4 E-Stop Nut



VIEWED FROM UNDERSIDE OF VEHICLE

- 2**
PLUSNUT
(SEE PAGE 16)
- Secure Using:
 (1) 1/4-20 x 1-1/4 HWH Screw Grd 8
 (1) 1/4 Flat Washer



VIEWED FROM CARGO AREA OF VEHICLE

- 3**
INVERTEDTHRU FLOOR
- Secure Using:
 (1) 1/4-20 x 1-1/4 HWH Screw Grd 8
 (1) 1/4 Fender Washer
 (1) 1/4 Flat Washer
 (1) 1/4 E-Stop Nut



VIEWED FROM UNDERSIDE OF VEHICLE

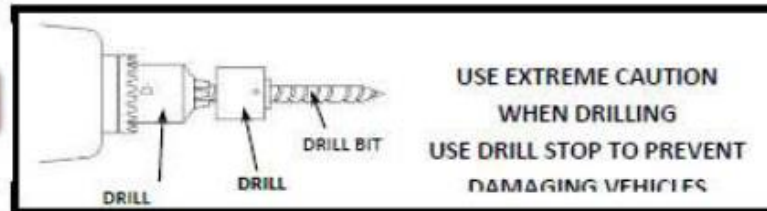
SECURING @ ROOF



With Partition properly positioned
Mark mounting points on Roof Beam using a hammer and center punch.
For ease of drilling move partition and drill 3/8" pilot holes at locations shown.
Next install Plusnuts (SEE Pg. 16)

(TOTAL OF 4 MOUNTING POINTS)

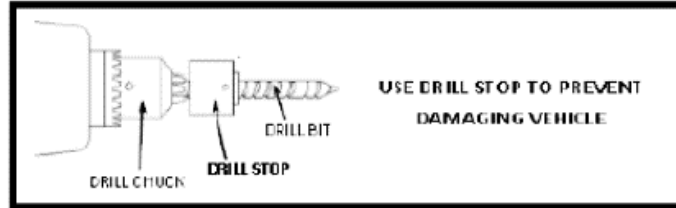
Replace assembled partition and secure using:
(4) 1/4-20 x 1-1/4 HWH Screws Grd 8
(4) 1/4 Split Lock Washers



TORQUE SETTING:
Size - 1/4 = 7 - 9.5 Ft.-Lbs.

BEFORE DRILLING

STOP CHECK ALL MOUNTING LOCATIONS TO PREVENT PENETRATING GAS LINES, GAS TANKS, BRAKE LINES, WIRING OR ANY OTHER STRUCTURE OF VEHICLE **STOP**



The Plusnut® is pre-bulbed for easy installation

1

The Plusnut® is pre-assembled with hex cap and hex bolt. Then it is inserted into a pre-drilled hole

2

As the bolt is tightened, the Plusnut® upsets and provides outstanding blind fastening holding power.

3

C-500 tool tightens bolt thru hex head cap into Plusnut®. A ratchet, open-end or closed-end wrench can be used.

4

Fully upset Plusnut® provides a reliable nut plate for fastening

5

3 Year / 36,000 Mile Limited Warranty

MASTERACK® commercial van and pickup equipment is warranted to be from defects in material and workmanship, under normal use and service for a period of one (1) year from date of purchase. Factory installations, and products installed in new vehicles by an authorized MASTERACK® installer are warranted for **(3) years or 36,000 miles (60,000 KM)**, whichever comes first. **This warranty covers only repairs, or at MASTERACKS' discretion, replacement to correct any defects related to materials and workmanship.**

This warranty does not apply to:

- Additions, alterations, or installations made by persons including dealers, other than MASTERACK® and its authorized distributors, made in accordance with MASTERACK® specifications and / or instructions, nor to defects arising out of attribute to such additions, alterations or installations.
- Defects attributable to abuse or misuse of the product, misapplication, negligent accident, modification or tampering.
- Damage resulting from failure to promptly notify and comply with the instructions of the dealer or manufacturer about defects when noted.
- Any incidental or consequential damages connected with a defect, either while under warranty or afterward, including the cost of a rental truck and / or loss or revenue.

THE WARRANTY IS THE ONLY WARRANTY APPLICABLE TO A MASTERACK PRODUCT PURCHASE. ALL OTHER WARRANTIES, EXPRESSED OR IMPLIED, INCLUDING BUT NOT LIMITED TO, THE IMPLIED WARRANTIES OR MERCHANTABILITY AND FITNESS FOR A PARTICULAR PURPOSE ARE DISCLAIMED. MASTERACK® AND ITS SUBSIDIARIES, SHALL NOT BE LIABLE FOR ANY INCIDENTAL OR CONSEQUENTIAL DAMAGES ARISING OUT OF ANY BREACH OF THIS WARRANTY, NOR SHALL THE DAMAGES EXCEED THE RETURN AMOUNT OF THE PURCHASE PRICE PAID BY THE ORIGINAL PURCHASER.

Warranty claims must be submitted to either your sales representative or a customer service representative at **1-800-222-8785**. The vehicle must be delivered to the original MASTERACK® authorized dealer for inspection and any warranty service. Any warranty service to be performed by a source other than MASTERACK® location or an approved MASTERACK® distributor must be authorized in advance of the repairs by the MASTERACK® Warranty Administrator and a purchase order issued by MASTERACK® in advance or repairs for the authorized repairs.