

**Recommended Tools**

Air or Hand Ratchet



1/2" Socket



1/2" Combo Wrench



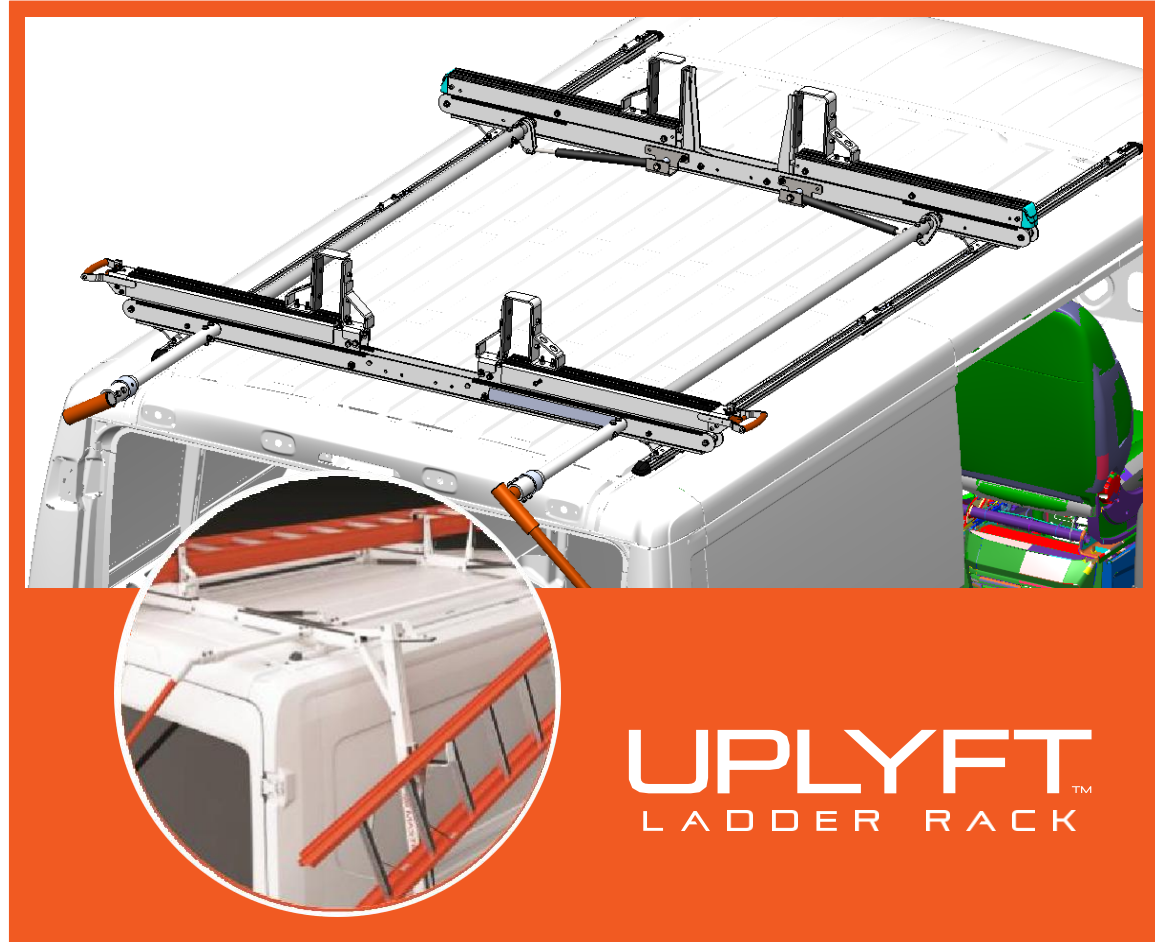
7/16" Combo Wrench



6mm Hex Allen Wrench



PN	DESCRIPTION	QTY
02P325	CROSSBEAM ASSEMBLY UPLYFT	1
02P326	CROSSBOW ASSY - FRONT	1
02P328	CONNECTING TUBE	2
02P103	DROP DOWN ASSEMBLY	2
02P393	MIDROOF HANDLE ASSY	1
02P663	LADDER STOP ASSY FRONT	2
02P664	LADDER STOP ASSY REAR	2
02P665	ROTATION ASSEMBLY MR	2
02P666	HARDWARE BAG	1
02R245	MOUNTING RAIL	4
02P148	RAIL CAP UPLYFT	4
RM518016	SCREW PPHSM 14 X.625	4
02P791	HARDWARE BAG PROMASTER	1
02R247	SHIP PACK PROMASTER EXL	1

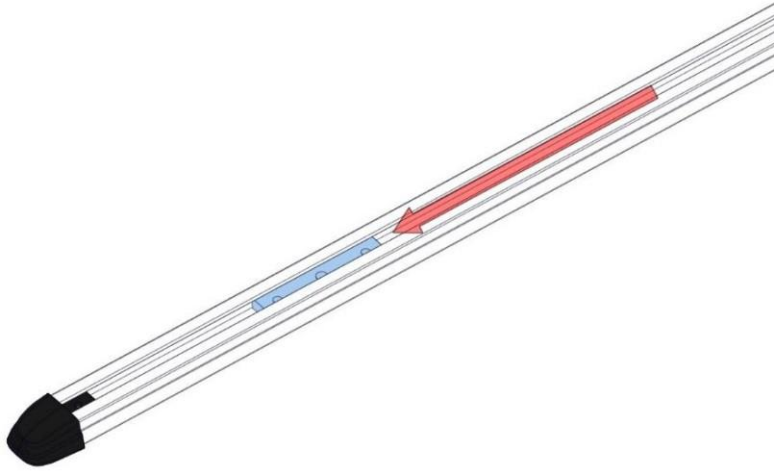


**UPLYFT™ LADDER RACK SYSTEM**

**Before installation, review this document to ensure that all parts and hardware are included in the package.**

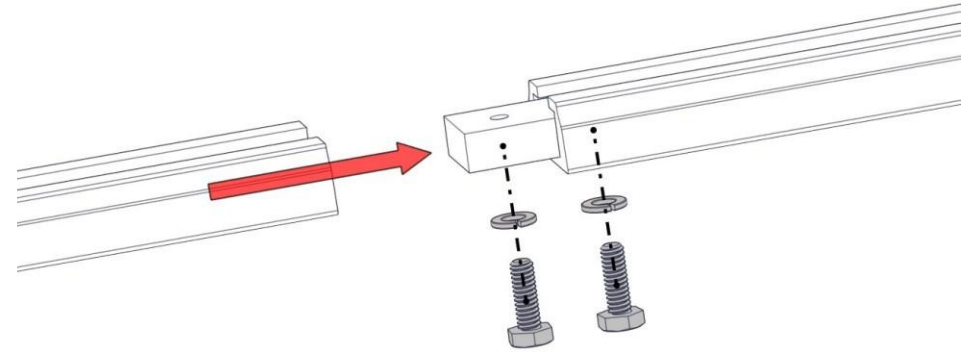
In the event that parts are missing, please contact Masterack at 1-800-222-8785 to re-order missing parts.

**BEFORE INSTALLATION PLEASE REVIEW THIS ENTIRE DOCUMENT, UNTIL YOU ARE COMPLETELY FAMILIAR WITH ALL STEPS BEFORE BEGINNING. A "PRACTICE RUN" OF THESE STEPS/PROCEDURES MAY BE HELPFUL TO ASSIST YOU IN FAMILIARIZING YOURSELF THOROUGHLY AND AVOID COSTLY ERRORS.**



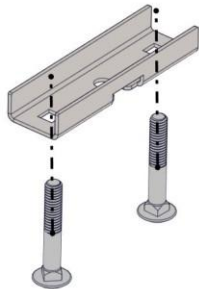
**Step 1.**

Slide receiver block (02P118) into both mounting rails (02R245)



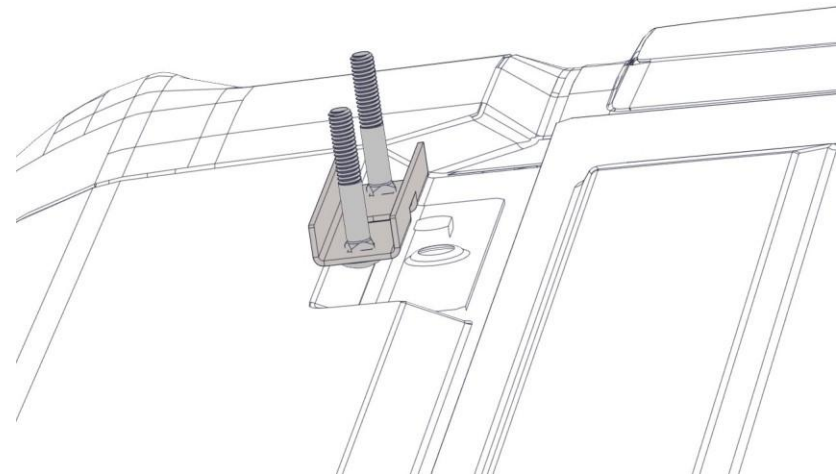
**Step 2.**

Slide joining block (02P125) into channels. Fasten with 1/4" lock washers and 1/4" X 1" hex bolts. Tighten with 7/16" wrench.



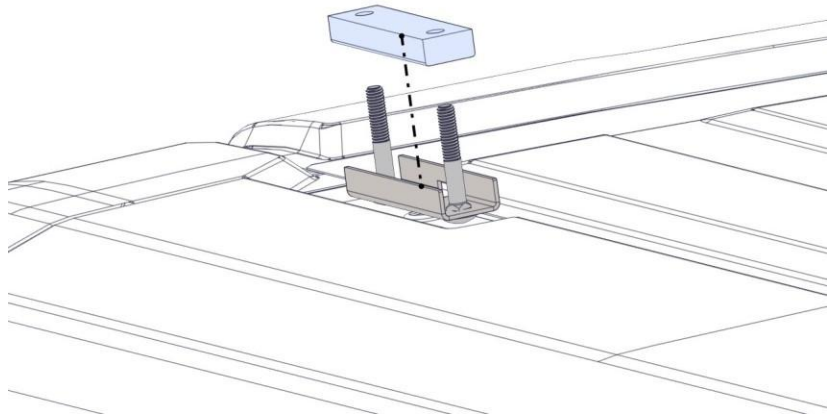
**Step 3.**

Install 2 of the 5/16" x 2" bolts into base bracket (repeat 8 times).

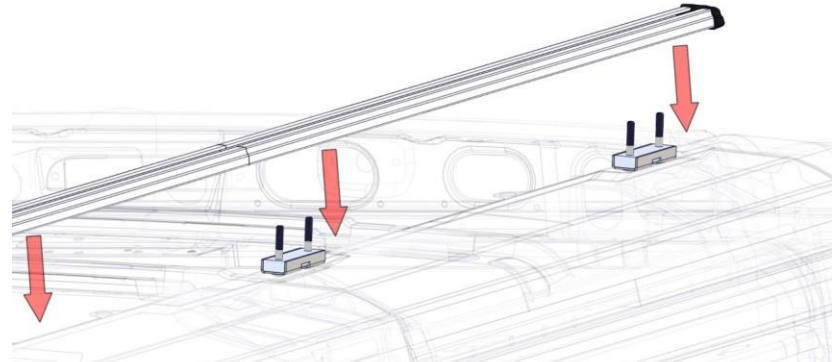


**Step 4.**

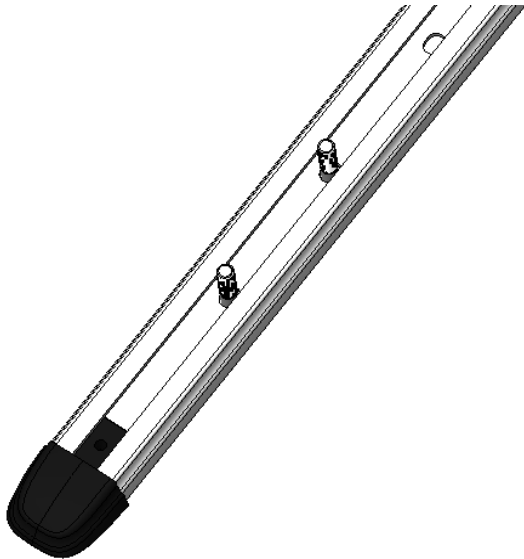
Install base brackets on vehicle by locating mounting tabs on top of vehicle. Pull tabs up and slide the bracket underneath. Repeat for all 8 locations.



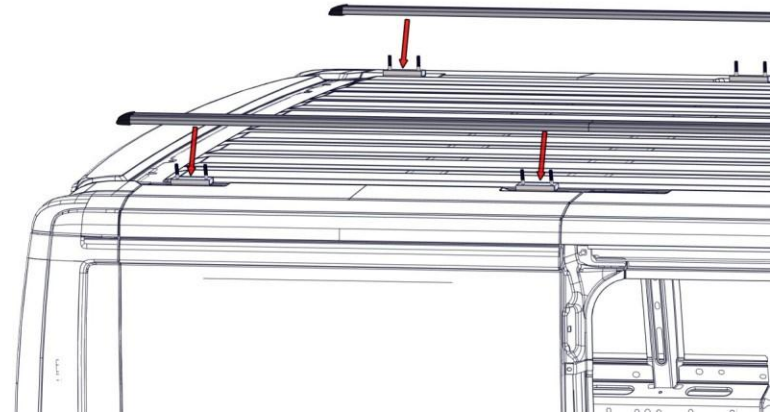
**Step 5.**  
Install spacer inside base brackets. Repeat for all 8 locations.



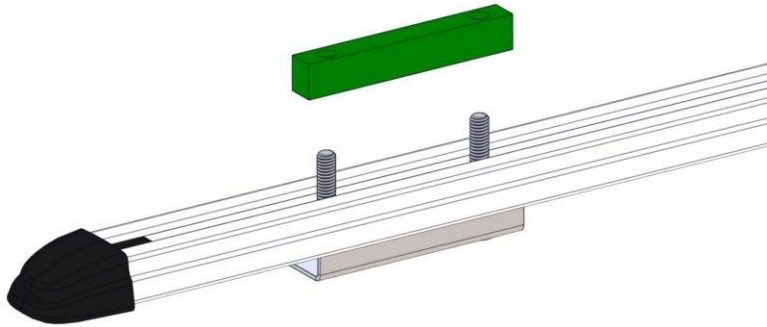
**Step 6.**  
Place rails on top of vehicle and slide receiver blocks from Step 2 all the way forward.



**Step 7.1**  
Starting at the rear of the vehicle, use the first hole as shown.



**Step 7.2**  
Place the rail on top of the base brackets.



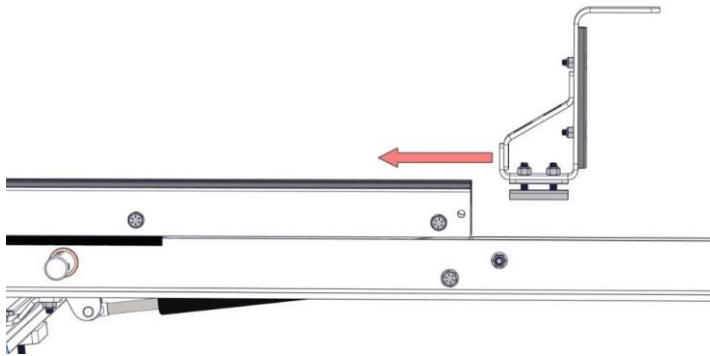
**Step 8.**

Install bolt spacers as shown over the bolts inside the channel. Repeat the same for 6 locations.



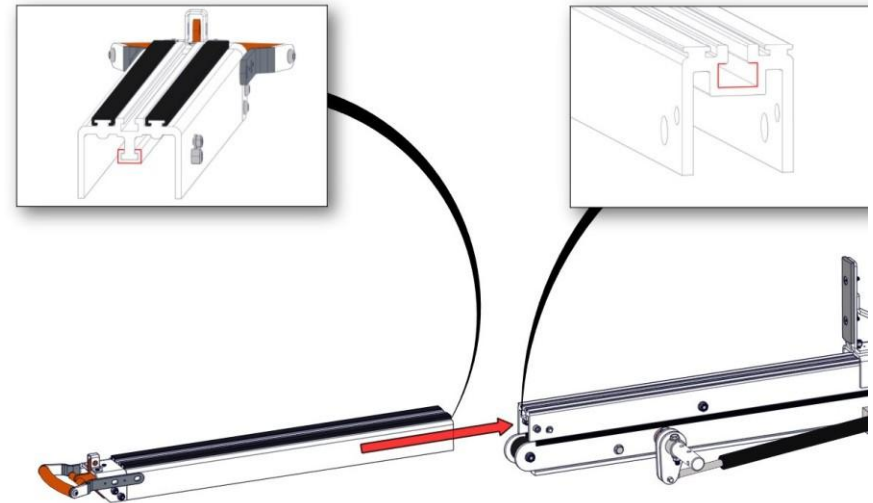
**Step 9.**

Slide ladders stop (02P663) inside drop down and tighten with 9/16 socket or wrench.



**Step 10.**

Slide ladders stop (02P664) tighten bolts using 9/16 socket or wrench.



**Step 11.**

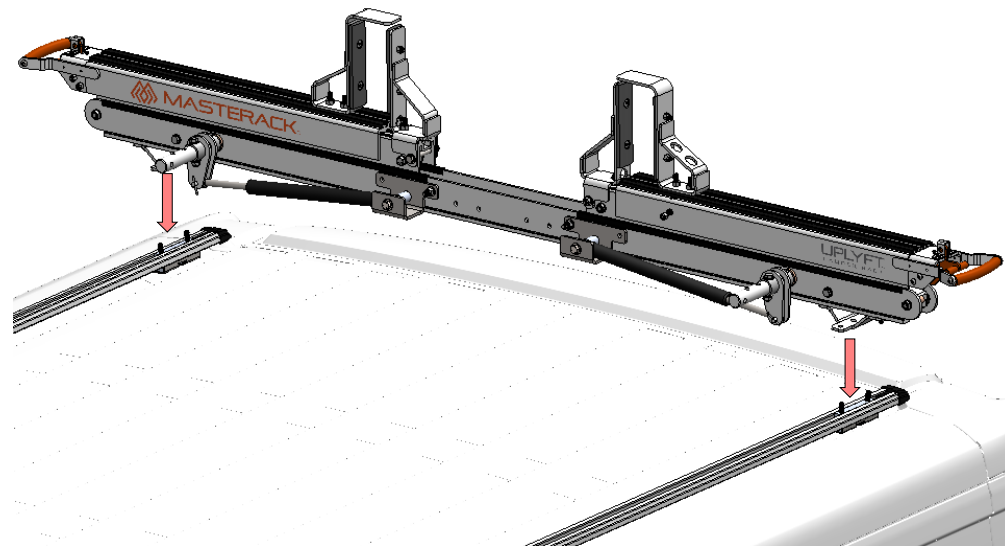
Slide the drop-down assembly into a crossbow by lining up the extrusion, and slide in.

## IMPORTANT TO NOTE:

A BLUE sticker indicates the FRONT Crossbows (02P326)

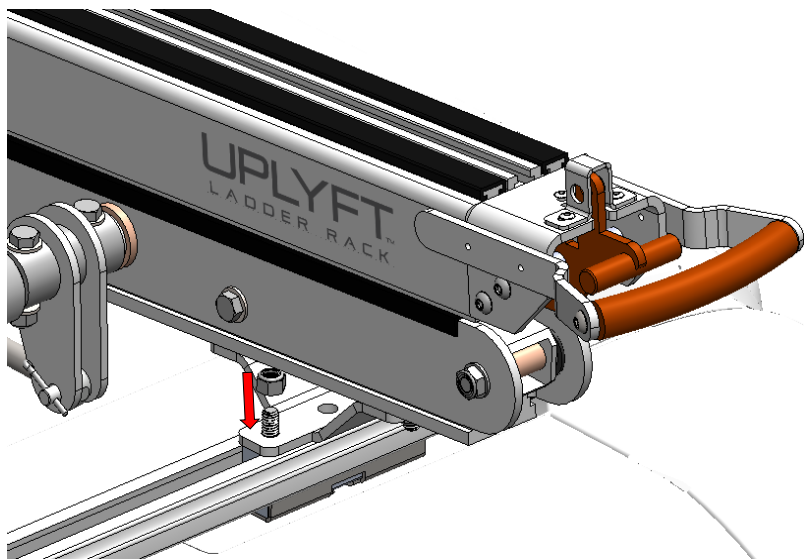


A GREEN sticker indicates the REAR Crossbows (02P325)



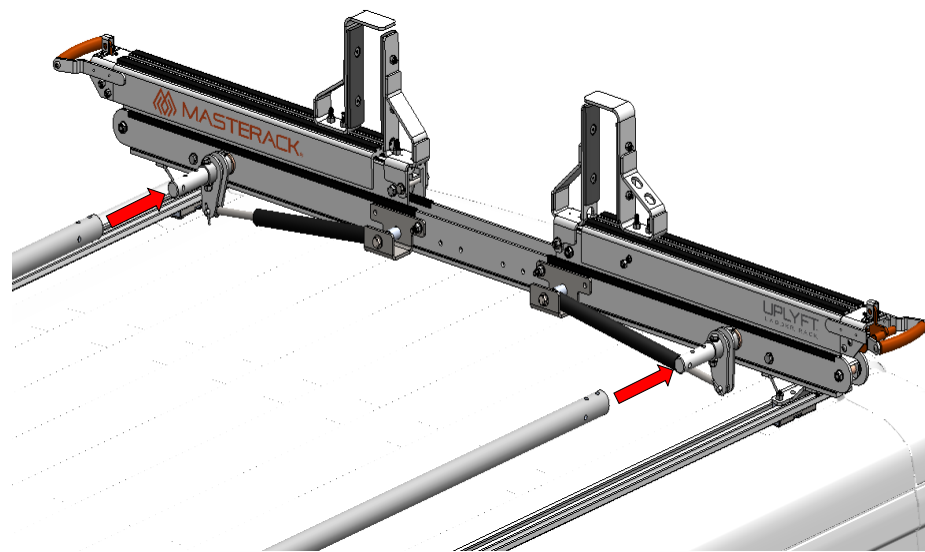
### **Step 12.**

Lay rear crossbow across mounting rails



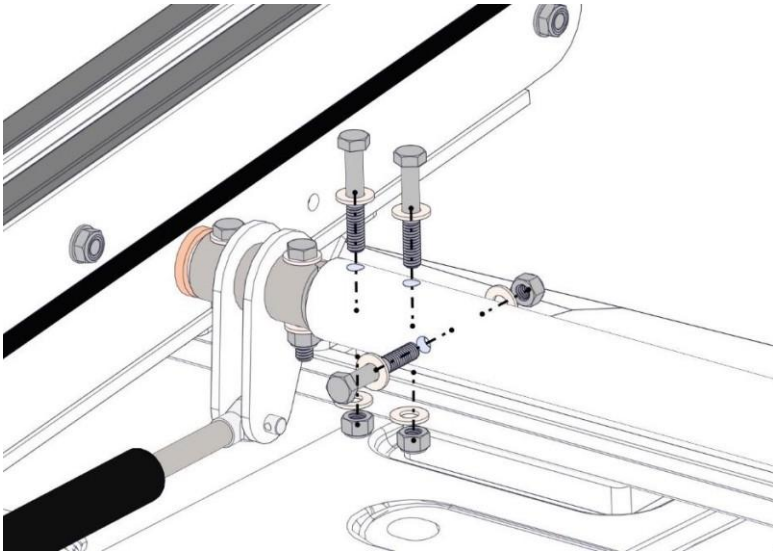
### **Step 13.**

Install 5/16 SS LOCK NUT (02P168) (4) onto the carriage bolt, apply anti-seize to bolts; DO NOT TIGHTEN

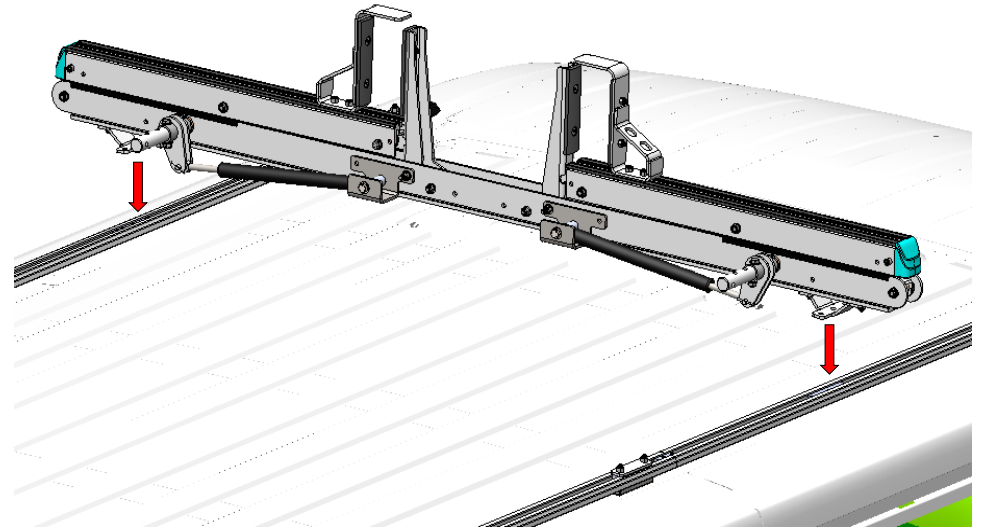


### **Step 14.**

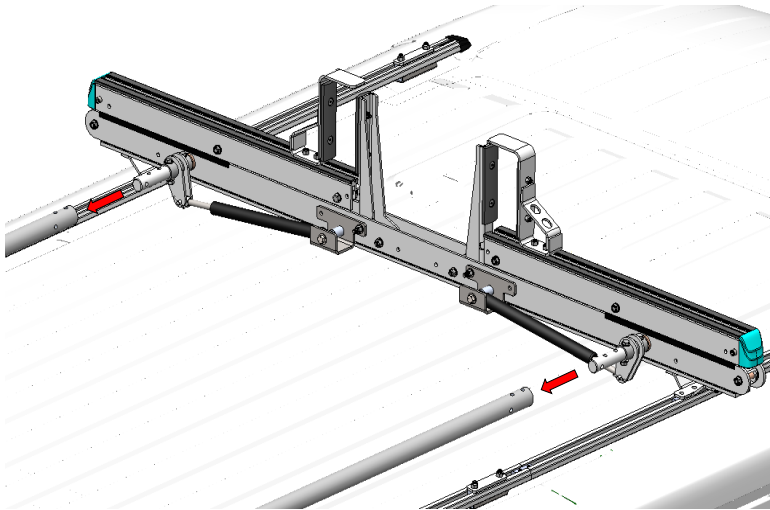
Slide connecting tube 02P328 into the rear crossbow assembly



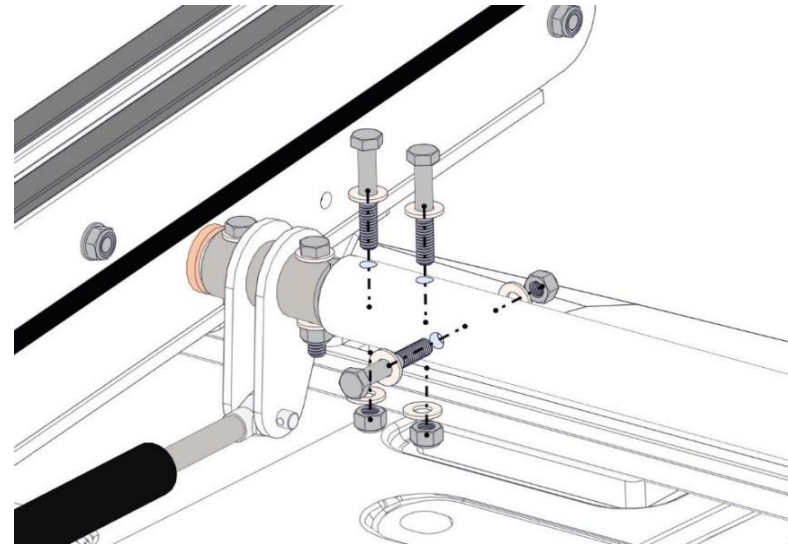
**Step 15.**  
Install connecting tubes with 5/16 X 2-1/2 fasteners (6) & washers (12);  
apply anti-seize to bolts



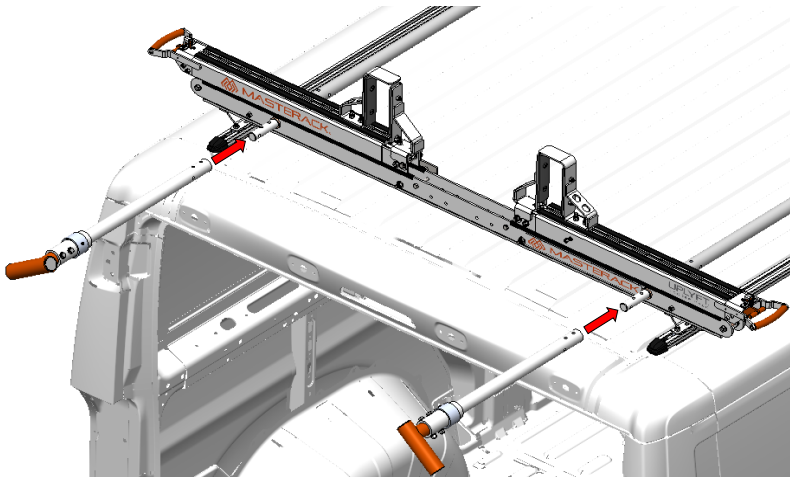
**Step 16.**  
Lay front crossbow across mounting rails



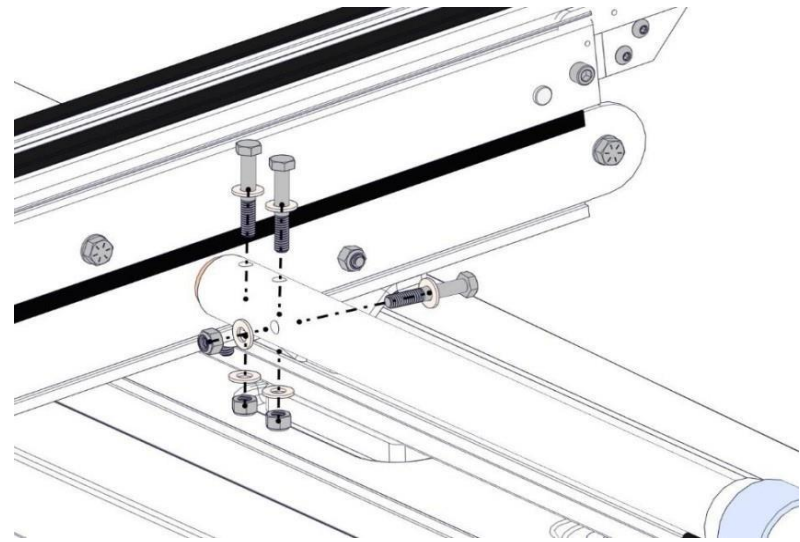
**Step 17.**  
Slide front crossbow into connecting tubes and attach  
connecting tubes (2) with 5/16" x 2" bolts (R511497).



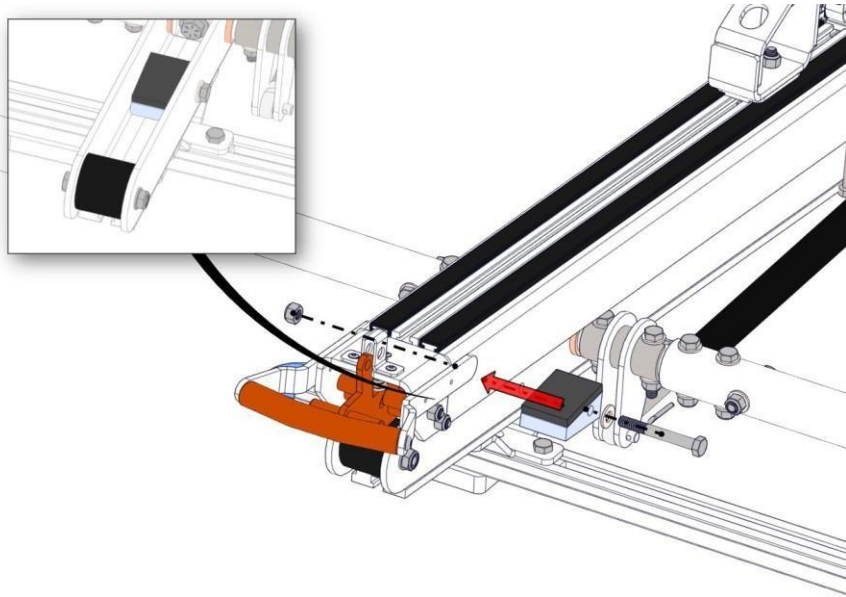
**Step 18.**  
Install connecting tubes with 5/16" X 2 - 1/2" fasteners (6) & washers (12) and  
apply seize to bolts



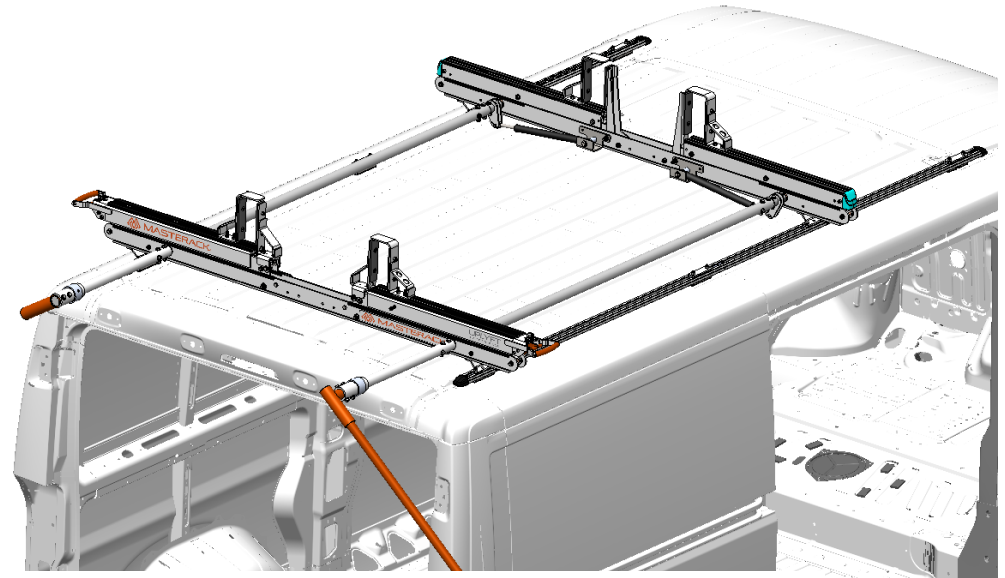
**Step 19.**  
Install handle assembly into rear crossbow as shown



**Step 20.**  
Fasten handle with 5/16 X 2-1/2 bolts (6) and washers (12) and apply seize to bolts.



**Step 21.**  
Install ladder stops (4) on curbside and roadside crossbows using 5/16" x 2-1/2" bolts, washer, bumper stop and nut and tighten with a 1/2" wrench



**Step 22.**  
Assembly after installation