

<b>TITLE:</b> <b>FOLDING SHELF MODULE ASSEMBLY</b>		
<b>DOCUMENT #:</b> <b>WI-FOLD MODULE ASSY</b>	<b>LABOR HOURS:</b> <b>1.0</b>	<b>PRINT DATE:</b> <b>7/23/24</b>
<b>REVISION:</b> <b>1</b>	<b>PREPARED BY:</b> <b>A. SUPPANAVAR</b>	<b>DATE PREPARED:</b> <b>7/16/24</b>
<b>EFFECTIVE DATE:</b> <b>7/17/2024</b>	<b>REVIEWED BY:</b> <b>SK</b>	<b>DATE REVIEWED:</b> <b>7/17/24</b>
<b>FUNCTIONAL DEPARTMENT:</b> <b>ENGINEERING</b>	<b>APPROVED BY:</b> <b>SK</b>	<b>DATE APPROVED:</b> <b>7/17/24</b>

- STANDARD WARNINGS:**
- READ WORK INSTRUCTIONS IN ENTIRETY BEFORE STARTING
  - CHECK THAT YOU ARE PROPERLY CLEAR OF GAS TANK AND WIRES BEFORE DRILLING
  - CONTACT ENGINEERING IF QUESTIONS ARISE OR DOCUMENT NEEDS TO BE UPDATED
  - FOLLOW ALL LISTED OEM SYSTEM FUNCTIONALITY CHECKS AFTER INSTALL.

**LMS COMPATIBILITY TABLE**

VAN /LMS SIZE	3FT	4FT	5FT	6FT	3FT+ 5FT	3FT+ 4FT	4FT+ 4FT	5FT+ 4FT	5FT+ 5FT	6FT+ 3FT	6FT+ 4FT	6FT+ 5FT	5FT+5FT +3FT	6FT+ 6FT
<b>Ram Promaster</b>														
Low Roof 118WB	Street		Street	Street										
Low Roof 136WB	Street	Curb	Street	Street	Street	Street								
High Roof 136WB	Street	Curb	Street	Street	Street									
High Roof 159WB	Street	Street & Curb	Street & Curb		Street		Street	Street			Street			
High Roof 159-EXT	Street	Street & Curb	Street & Curb	Curb	Street		Street	Street	Street		Street	Street		
<b>Ford Transit</b>														
Med Roof & High Roof 148WB		Street & Curb	Street & Curb					Street						
Med Roof 130WB	Street	Street & Curb	Street		Street		Street							
High Roof 148-EXT	Street & Curb	Street & Curb	Street & Curb	Street & Curb		Street	Street	Street			Street			
<b>Mercedes Sprinter</b>														
STD Roof 144WB	Street	Street & Curb	Street & Curb,	Street	Street		Street	Street		Street				
High Roof 170-EXT	Street & Curb	Street & Curb	Street & Curb	Street & Curb	Street & Curb	Curb	Street	Street	Street	Curb			Street	Street

**Note: The above combinations may vary depending on updates to the VAN Model**

**PART IDENTIFICATION / BOM:**

<b>PART NUMBERS</b>	<b>DESCRIPTION</b>	<b>QTY-UM</b>
• 02R756	UPRIGHT MOUNTING BRACKET	2.0000 EA
• 02S806	TOP RAIL MOUNTING BRACKET RH	1.0000 EA
• 02S807	TOP RAIL MOUNTING BRACKET LH	1.0000 EA
• RM541081	WASHER USS 5/16 FLAT ZINC	32.0000 EA
• RM510437	SCREW 5/16-18X1 HHC 304S	16.0000 EA
• RM520641	5/16"-18 STEEL LOCKNUT	16.0000 EA
• RM541036	WASH FNDR.38"X2" OD ZINC	4.0000 EA
• RM511600	SCREW HHC M8-1.25X30	2.0000 EA
• RM520748	PLUSNUT FH 5/16-18	4.0000 EA
• RM560143-1	COLR 3/4IDX1ODX3/8THK ZN	8.0000 EA
• RM520325	NUT/WASH HEX NYLOC 1/4-20 ZN	8.0000 EA
• RM511477	SCREW HWHM 1/4-20X1-1/4 STL	8.0000 EA
• RM541013	WASH 1/4 ZN GR2	8.0000 EA
• RM510588	SCREW 5/16-18 X 1-1/4" HHC GR8	4.0000 EA
• RM540335	RIVET BLIND 1/4 DH STL/STL	16.0000 EA
• RM510071	NYLON SPACER 1/2"ID, 1"OD	4.0000 EA
• RM541035	WASHER 1/2 SAE FLT YLW ZNC GR8	8.0000 EA
• RM510158	SHOULDER BOLT 1/2" X 1.00"	4.0000 EA
• RM521209	NUT 3/8-16 ELASTIC STOP 18-8	4.0000 EA
• RM541091	"WASHER 1/4"" FLAT SAE S/S"	4.0000 EA
• RM510587	18-8 STAINLESS STEEL SHOULDER	4.0000 EA
• RM520312	NUT ESH 1/4-20 STL ZP	4.0000 EA
• 02P169	ALUM SPACER 5/16 X 7/16 UPLYFT	4.0000 EA
• RM511500	SCREW HHC 5/16-18X1-1/2	4.0000 EA
• RM516752	SCREW HHC 5/16-18X1-3/4	4.0000 EA
• 02S801	FOLDING SHELF UPRIGHT RH	1.0000 EA
• 02R972	FOLDING SHELF MOUNT BRACKET RH	2.0000 EA
• 02R065	FOLDING SHELF LANYARD CABL 18"	4.0000 EA
• 02S654	FOLDING SHELF LOCK CATCH	4.0000 EA
• RM560706	DAMPER 1/4"-20 X 1/2, 1" OD	4.0000 EA
• RM518033	SCREW BHHD 1/4-20 X 1/2 NP	4.0000 EA
• RM540323	RIV BULB-TITE 1/4X.125-.375	4.0000 EA
• RM510437	SCREW 5/16-18X1 HHC 304S	12.0000 EA
• RM520641	5/16"-18 STEEL LOCKNUT	12.0000 EA
• RM510587	18-8 STAINLESS STEEL SHOULDER	4.0000 EA
• RM520312	NUT ESH 1/4-20 STL ZP	4.0000 EA
• 02S799	FOLDING SHELF UPRIGHT LH	1.0000 EA
• 02R971	FOLDING SHELF MOUNT BRACKET LH	2.0000 EA

**FOLDING SHELF 3'X20" 2 SHL HD**

- 02S803 FOLDING SHELF 36"X20" 2.0000 EA
- 02S793 FOLDING SHELF BRACE 36" 2.0000 EA

**FOLDING SHELF 4'X20" 2 SHL HD**

- 02R950 FOLDING SHELF 46"X20" 2.0000 EA
- 02R064 FOLDING SHELF BRACE 47" 2.0000 EA

**FOLDING SHELF 5'X20" 2 SHL HD**

- 02R949 FOLDING SHELF 60"X20" 2.0000 EA
- 02R884 FOLDING SHELF BRACE 60" 2.0000 EA

**FOLDING SHELF 6'X20" 2 SHL HD**

- 02S796 FOLDING SHELF 69"X20" 2.0000 EA
- 02R063 FOLDING SHELF BRACE 70" 2.0000 EA

**TOOLS REQUIRED:**

- Impact Driver
- 1/4" Rivet Gun
- 5/32" Rivet Gun
- 3/16" Rivet Gun
- 5/16" Wrench
- 1/4" & 1/8" Hex Drive Deep Six-Point
- Drill w- 3/4" Hole Saw
- 1/2" Socket – Deep Well 3/8" dr.
- Line-Up Punch
- Plusnut gun – 5/16" nose piece
- Drill w- 1/2" Unibit
- Drill w- 3/8" Unibit
- Drill w- 1-1/8" Hole Saw
- 7/16" socket
- 7/16" wrench

**TORQUE TABLE**

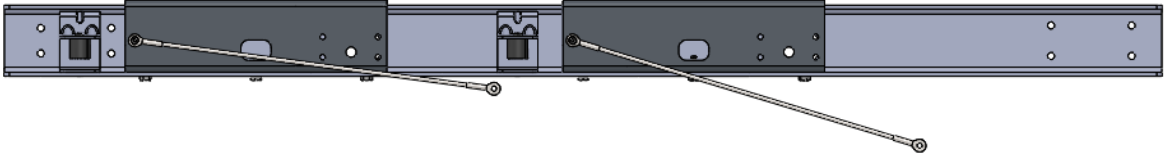
SIZE	TIGHTENING TORQUE
1/4-20 (.250)	12 in lbs.
5/16-18 (.3125)	25 ft lbs.
3/8-16 (.375)	44 ft lbs.

**KIT PACK**

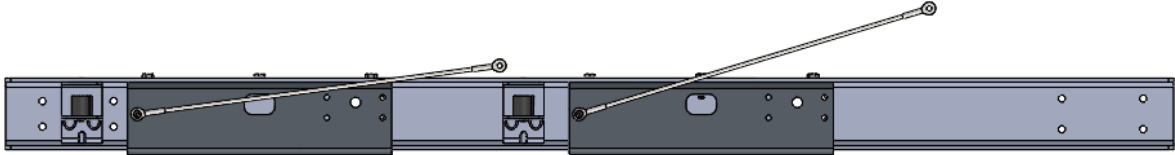
- FOLD FLAT HD SHELF PACK (1)

**KIT PACK SUB-ASSEMBLY**

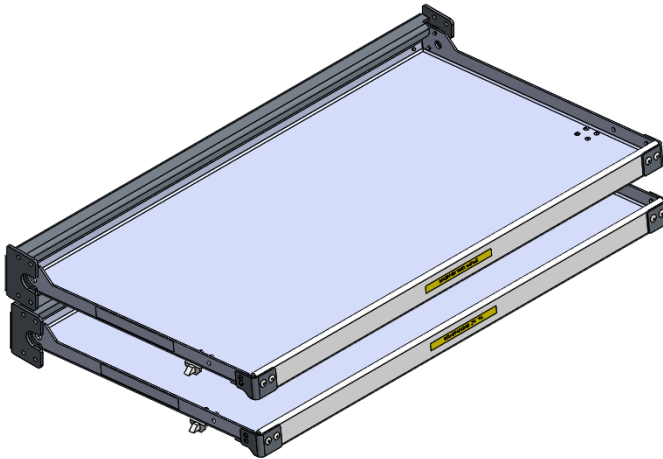
- FOLD FLAT HD LH UPRIGHT (1)



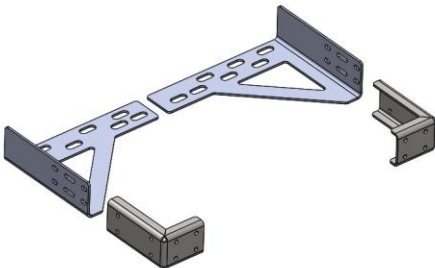
- FOLD FLAT HD RH UPRIGHT (1)



- FOLD FLAT HD SHELF ASSEMBLY



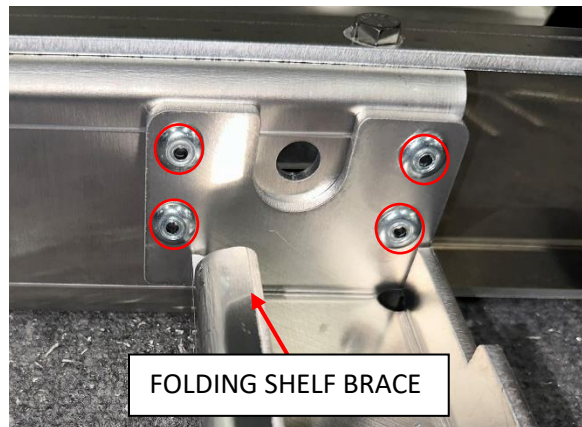
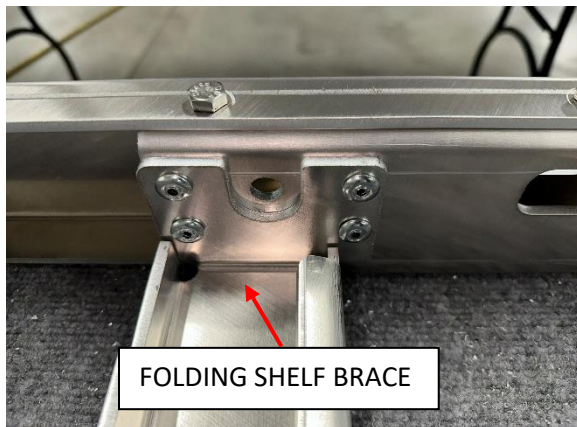
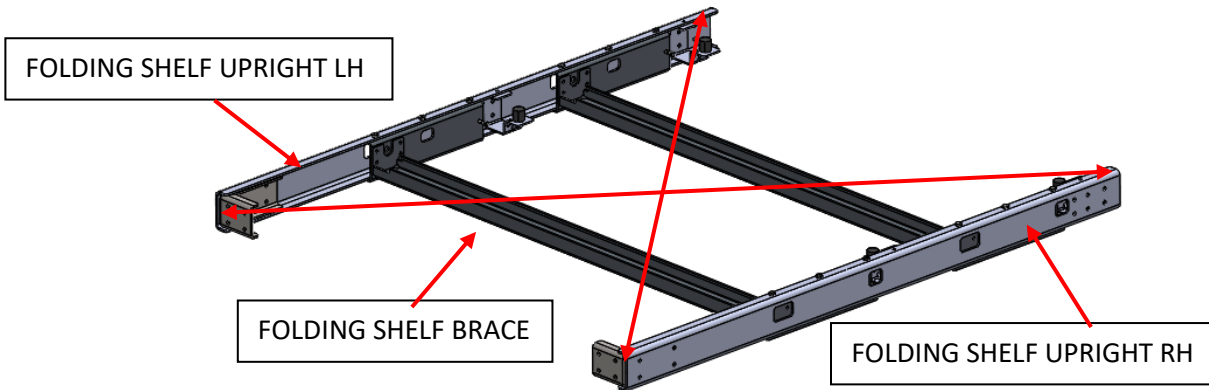
- FOLD FLAT HD VAN MOUNT BRK (1)



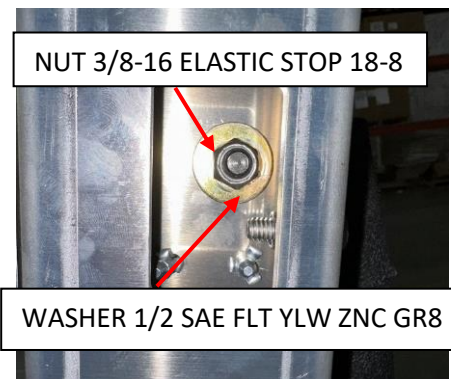
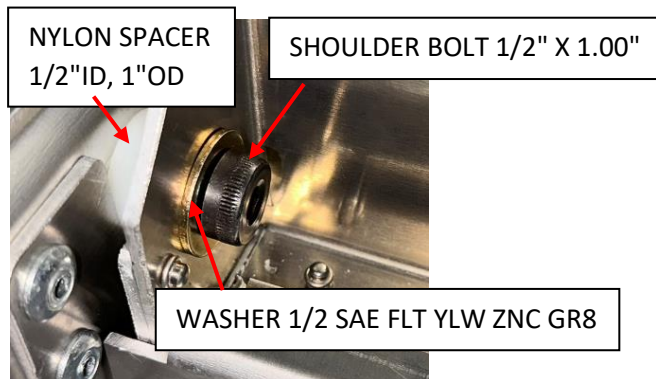
- FOLD FLAT HD HARDWARE BAG (1)

**MODULE ASSEMBLY:**

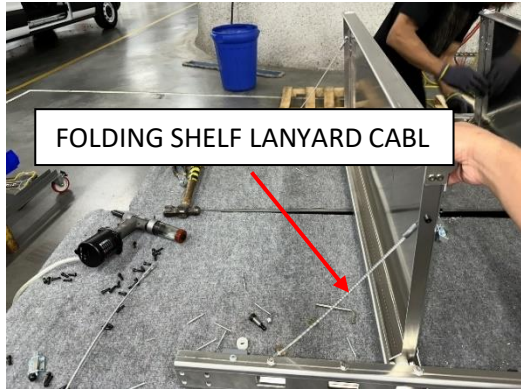
- Lay the **FOLDING SHELF UPRIGHTS** Assemblies down on the workbench and ensure that they are **parallel, squared, and aligned with each other, as shown below.**
- Place (1) **FOLDING SHELF UPRIGHT LH** and (1) **FOLDING SHELF UPRIGHT RH** on the worktable. Attach (2) **FOLDING SHELF BRACE** between the (2) uprights using (16) **RIVET BLIND 1/4 DH STL/STL.**



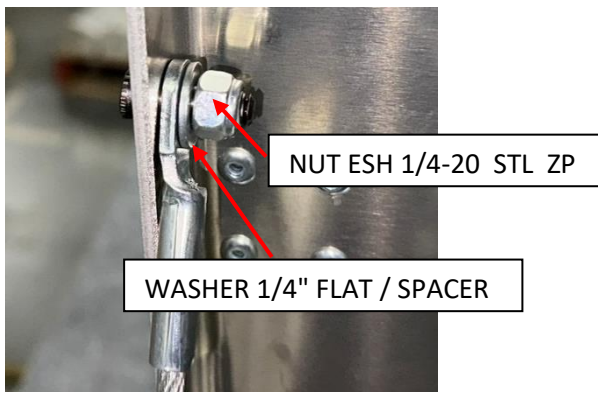
- Attach (2) **FOLDING SHELF ASSY** to the upright assembly using (4) **SHOULDER BOLT 1/2" X 1.00"** (4) **NYLON SPACER 1/2"ID, 1"OD**, (8) **WASHER 1/2 SAE FLT YLW ZNC GR8**, (4) **NUT 3/8-16 ELASTIC STOP 18-8.**



- Install (2) FOLDING SHELF LANYARD CABL to each Folding Shelf, positioning one at the Left-Hand side and one at the Right-Hand side.

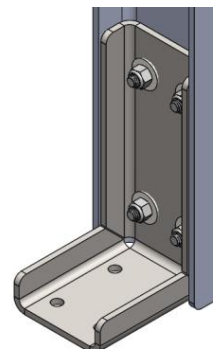
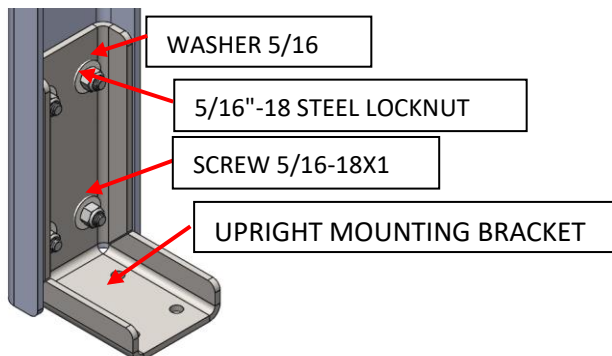


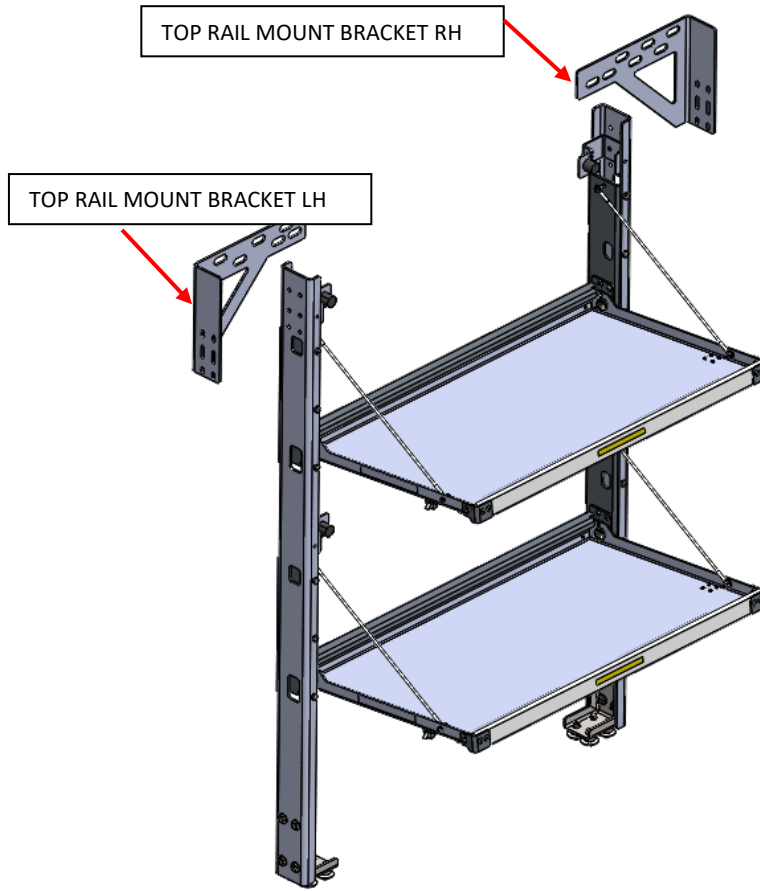
- One end of the FOLDING SHELF LANYARD CABL is connected to the shelf using (2) 18-8 STAINLESS STEEL SHOULDER, (1) WASHER 1/4" FLAT SAE S/S (RM541091), (1) NUT ESH 1/4-20 STL ZP (RM520312).  
**NOTE: The other end is already connected to FOLDING SHELF UPRIGHTS**



- Close the (2) Folding Shelves and secure them to the uprights using the latches.
- Install (2) UPRIGHT MOUNTING BRACKET one on the left upright and one on the other at the right upright, using (16) WASHER USS 5/16 FLAT ZINC, (8) SCREW 5/16-18X1 HHC 304S & (8) 5/16"-18 STEEL LOCKNUT

**NOTE: Do not fully tighten the nut & bolt.**





**NOTE:** - Do not assemble the TOP RAIL MOUNT BRACKET LH & TOP RAIL MOUNT BRACKET RH at module assembles as the height adjustment needs to be based on the vehicle.


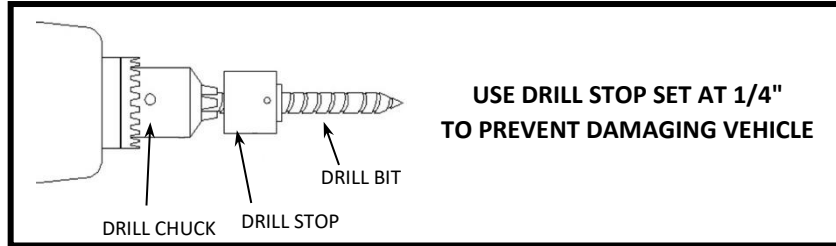
**KIT PACK TABLE**

	<b><u>FOLDING SHELF</u></b> <b><u>3'X20"</u></b> <b><u>02S791KP</u></b>	<b><u>FOLDING SHELF</u></b> <b><u>4'X20"</u></b> <b><u>02S067KP</u></b>	<b><u>FOLDING SHELF</u></b> <b><u>5'X20"</u></b> <b><u>02S068KP</u></b>	<b><u>FOLDING SHELF</u></b> <b><u>6'X20"</u></b> <b><u>02S794KP</u></b>
<b>FOLD FLAT HD LH UPRIGHT</b>	<b>02S203KP (1)</b>	<b>02S203KP (1)</b>	<b>02S203KP (1)</b>	<b>02S203KP (1)</b>
<b>FOLD FLAT HD RH UPRIGHT</b>	<b>02S204KP (1)</b>	<b>02S204KP (1)</b>	<b>02S204KP (1)</b>	<b>02S204KP (1)</b>
<b>FOLD FLAT SHELF + BRACE</b>	<b>02S792KP (1)</b>	<b>02S205KP (1)</b>	<b>02S229KP (1)</b>	<b>02S795KP (1)</b>
FOLDING SHELF ASSY	02S803 (2)	02R950 (2)	02R949 (2)	02S796 (2)
FOLDING SHELF REAR BRACE	02S793 (2)	02R064 (2)	02R884 (2)	02R063 (2)
<b>FOLD FLAT HD VAN MOUNT BRK</b>	<b>02S206KP (1)</b>	<b>02S206KP (1)</b>	<b>02S206KP (1)</b>	<b>02S206KP (1)</b>
UPRIGHT MOUNTING BRACKET	02R756 (2)	02R756 (2)	02R756 (2)	02R756 (2)
TOP RAIL MOUNT BRACKET RH	02S806 (1)	02S806 (1)	02S806 (1)	02S806 (1)
TOP RAIL MOUNT BRACKET LH	02S807 (1)	02S807 (1)	02S807 (1)	02S807 (1)
<b>FOLD FLAT HD HARD BAG</b>	<b>02S910</b>	<b>02S910</b>	<b>02S910</b>	<b>02S910</b>

**NOTE:-**


1. HIGHLIGHTED PARTS AND SUBASSEMBLIES IN THE ABOVE TABLE ARE COMMON ACROSS ALL MODULES OF FOLDING SHELVINGS
2. NON-HIGHLIGHTED PARTS AND SUBASSEMBLIES IN THE ABOVE TABLE ARE NON-COMMON ACROSS ALL MODULES OF FOLDING SHELVINGS

**STOP** **BEFORE DRILLING** **STOP**  
**CHECK ALL MOUNTING LOCATIONS TO PREVENT PENETRATING  
GAS LINES, GAS TANKS, BRAKE LINES, WIRING OR ANY OTHER STRUCTURE OF VEHICLE**



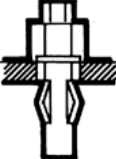
The Plusnut® is pre-bulbed for easy installation

1




The Plusnut® is pre-assembled with hex cap and hex bolt.  
Then it is inserted into a pre-drilled hole

2




As the bolt is tightened, the Plusnut® upsets  
and provides outstanding  
blind fastening holding power

3



C-500 tool tightens bolt thru hex head cap into Plusnut® A  
ratchet, open-end or closed –end wrench can be used.

4



Fully upset Plusnut® provides  
a reliable nut plate for fastening.

5