

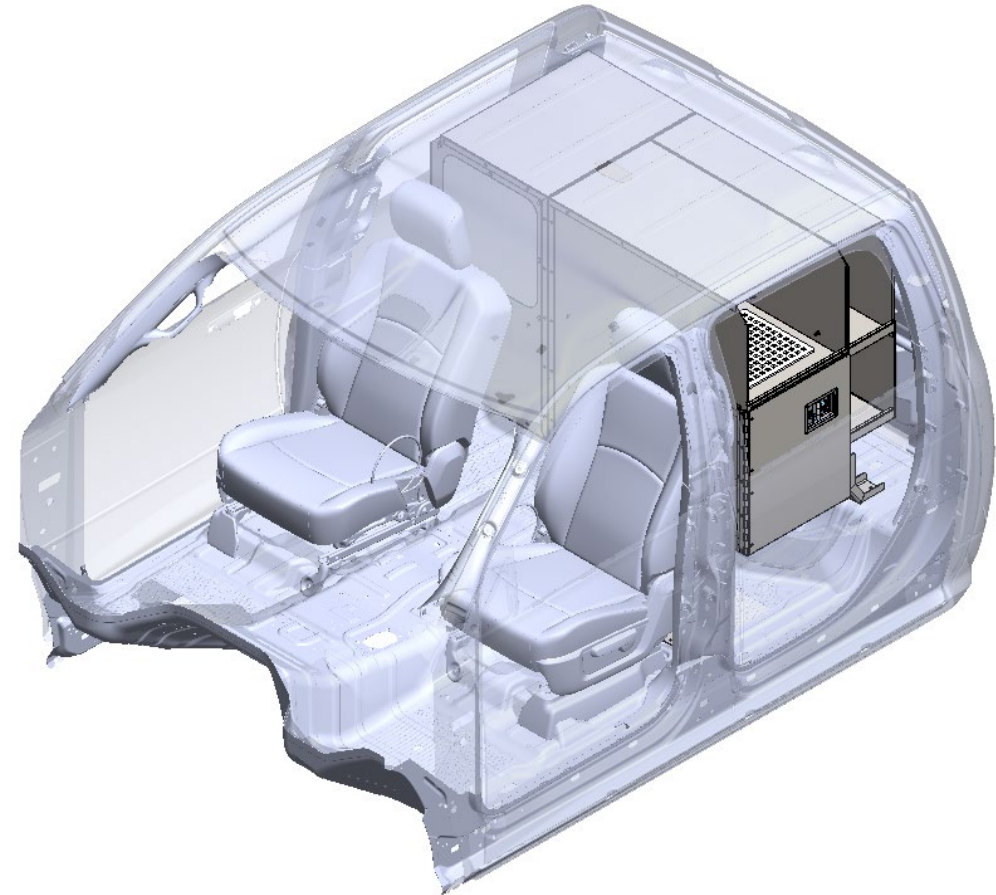
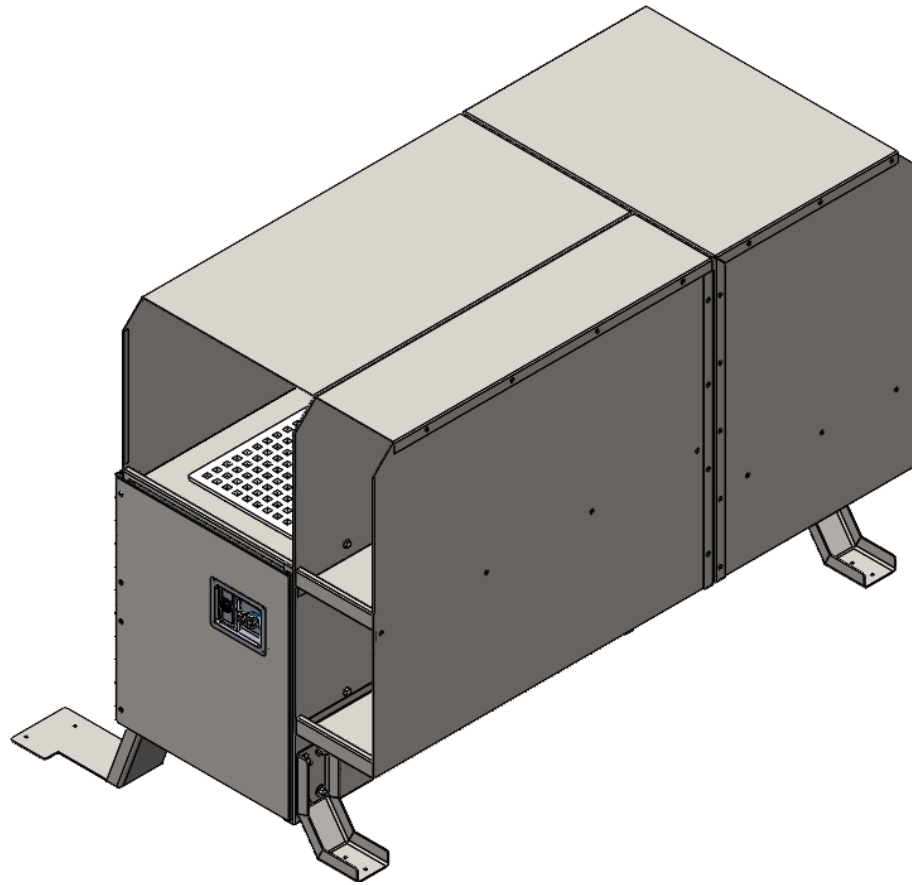
BACKSEAT CAB ORGANIZER

WORK INSTRUCTION

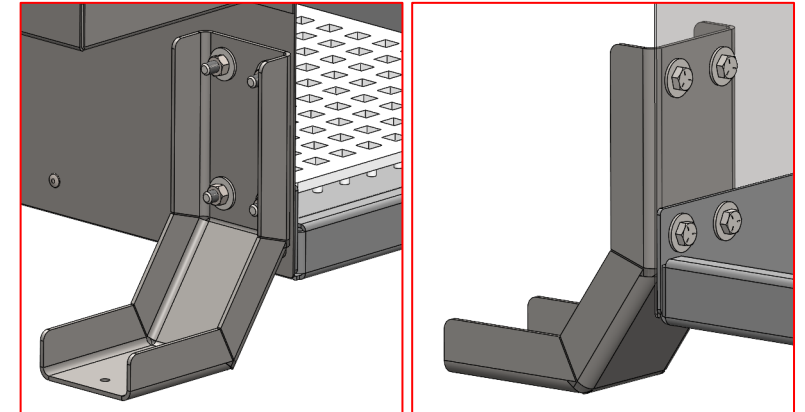
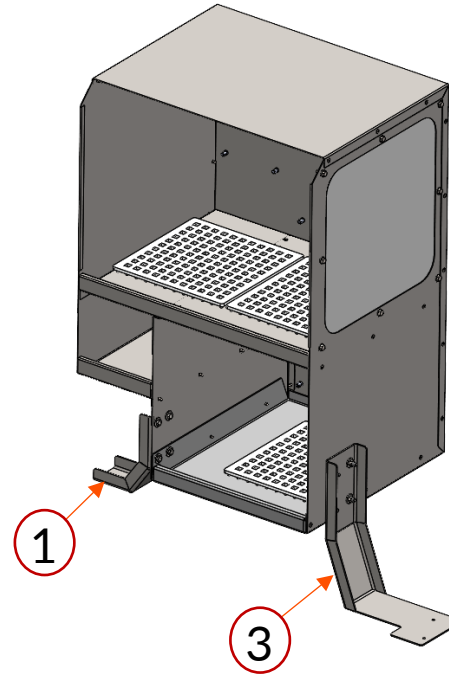
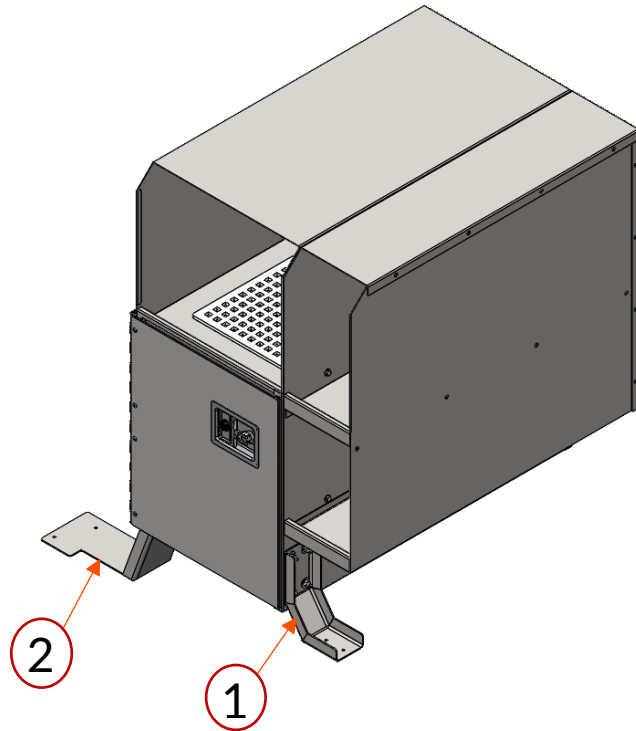
02T435KP | RAM 2500 Backseat Cab Organizer

02T514KP | Chevy Silverado 2500 Backseat Cab Organizer

RAM CAB ORGANIZER 02T435KP



Leg Mounting on RAM Cab Organizer 02T435KP



1. 02T405- BRKT BTM REAR RAM
2. 02T406-BRKT BTM FRNT RAM CS
3. 02T407- BRKT BTM FRNT RAM RS

Hardware

1. RM510416 (SCREW HHC 5/16-18X1.00) - 16 no's
2. RM541081(WASHER FLAT 5/16) - 32 no's
3. RM520190(NUT ESH 5/16-18)- 16 no's

STEP 1 : Assemble 02T405 & 02T407 foot mount brackets to 02T599 RS side cab organizer

STEP 2 : Assemble 02T405 & 02T406 foot mount brackets to 02T437 CS Side cab organizer

Use the specified hardware to fit the parts, ensuring that the screw heads are positioned inside the cab organizer.

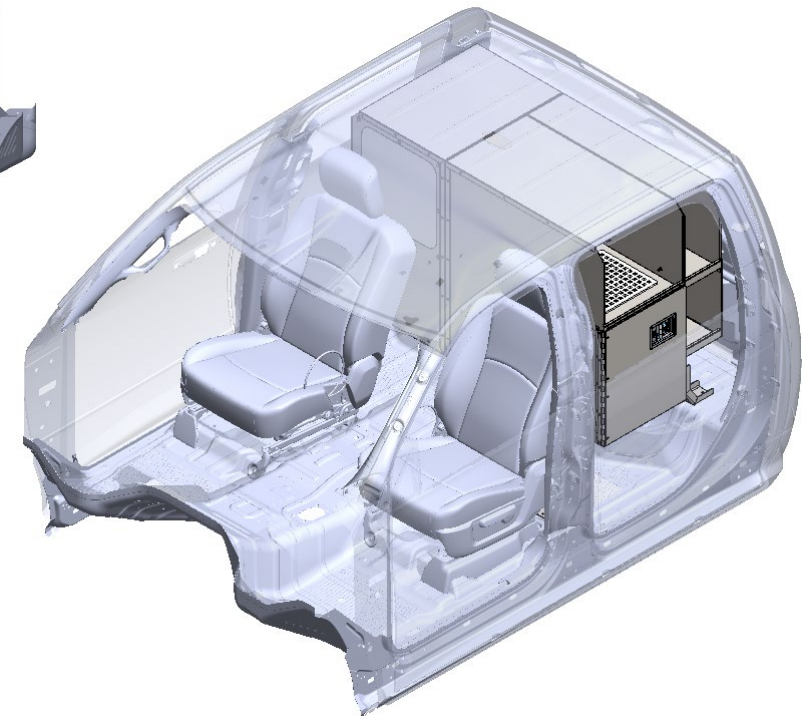
Installing Cab Organizer in RAM



Roadside



Curbside

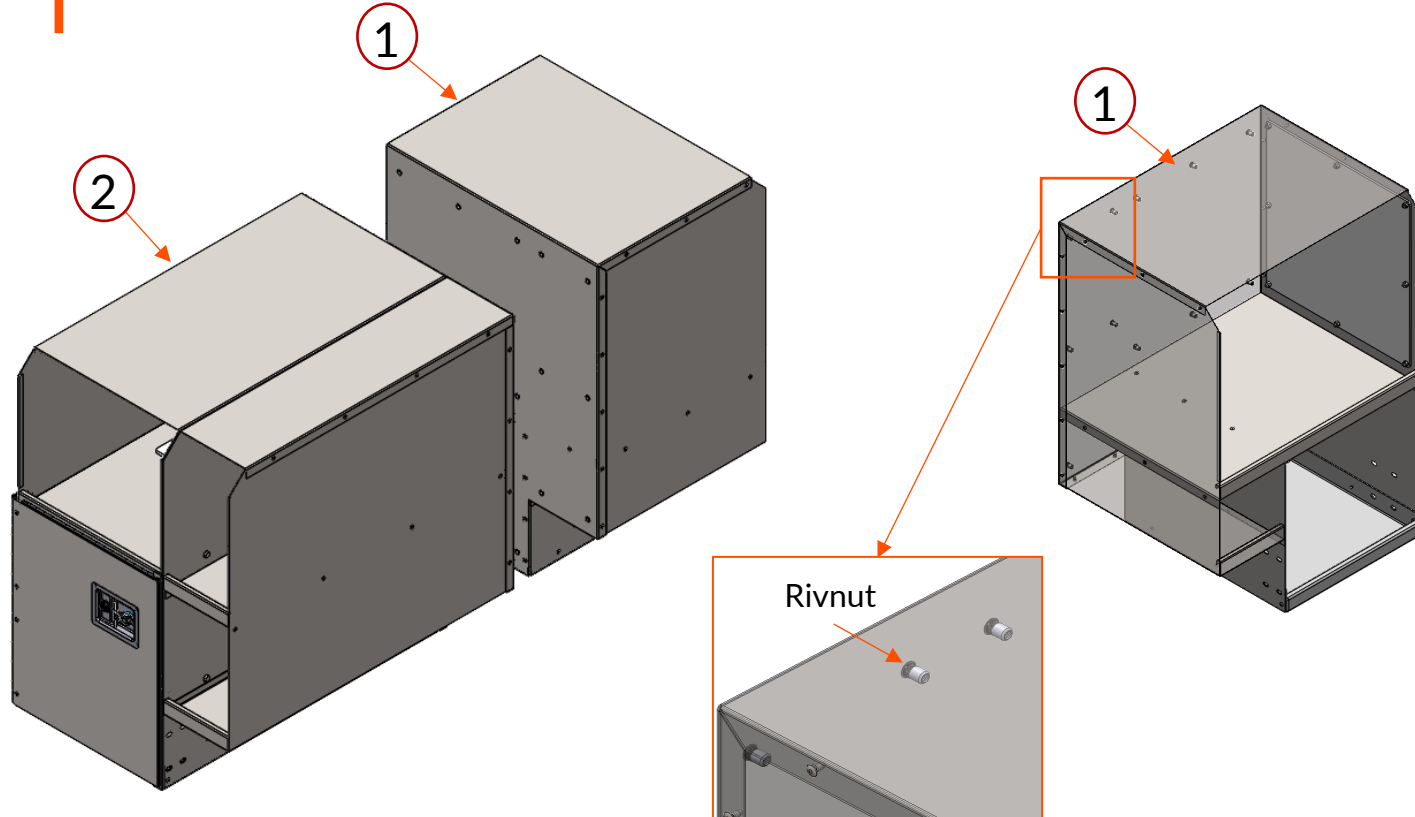


STEP 3 : Place the Roadside cab organizer (02T599_02T435) inside the RAM van, ensuring that the cab organizer door faces the roadside.

Make sure that the Door is Square During Installation.

STEP 4 : Place the Curbside cab Organizer (02T437_02T435) inside the RAM van.

ASSEMBLYING 02T435 inside RAM

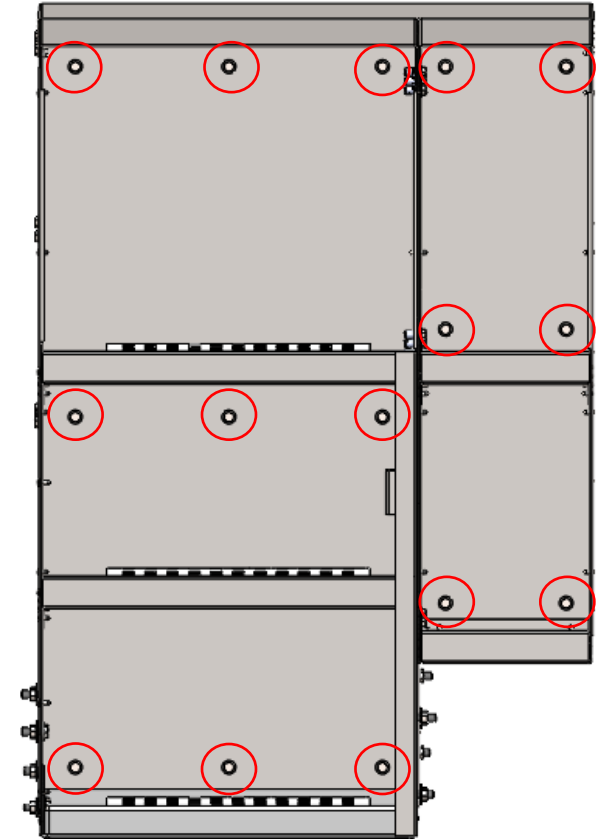


1. 02T437_COMPARTMENT ORGANIZER CS SIDE
2. 02T599_COMPARTMENT ORGANIZER RS SIDE

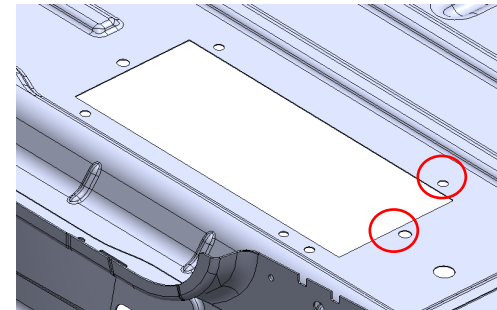
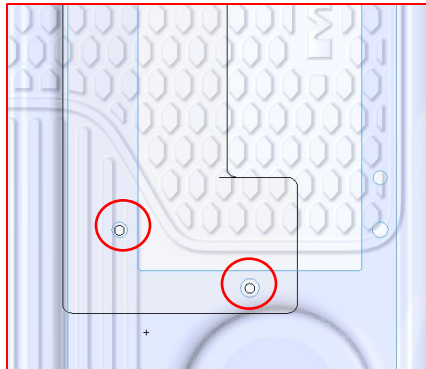
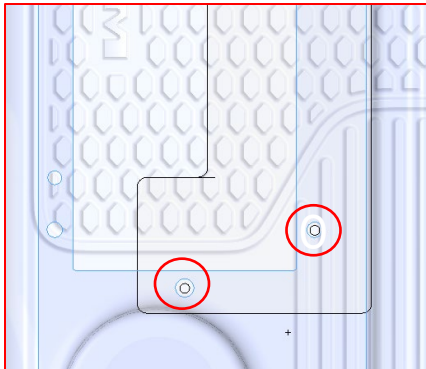
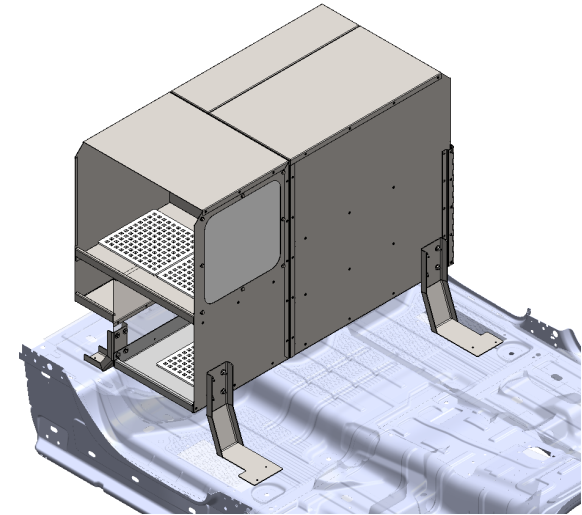
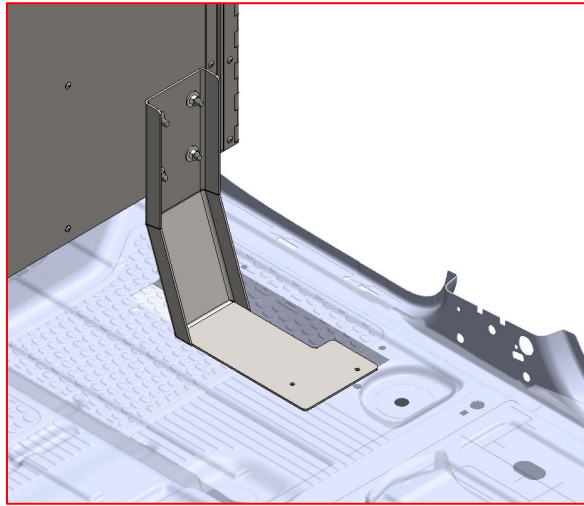
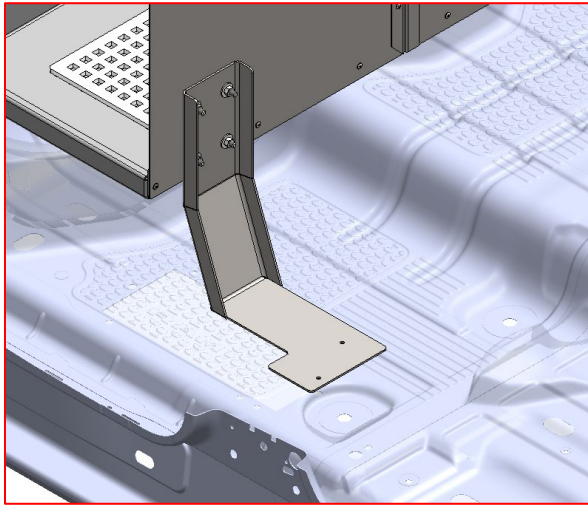
Hardware

1. RM511458(1/4-20X.75) - 15 no's
2. RM541061(WASH 0.25") - 15 no's

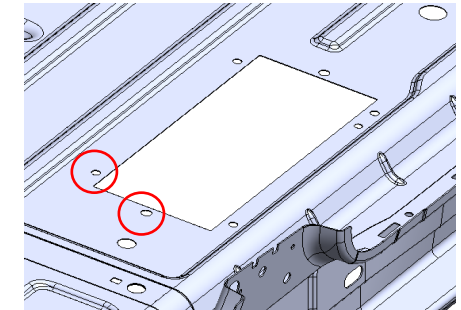
STEP 4 : Assemble 02T437 & 02T599 using Screw RM511458(1/4-20X.75) & washer RM541061(WASH 0.25"), Rivnut (15 no's) is already installed in 02T437 as shown in above image



Installing Cab Organizer In RAM



Curbside

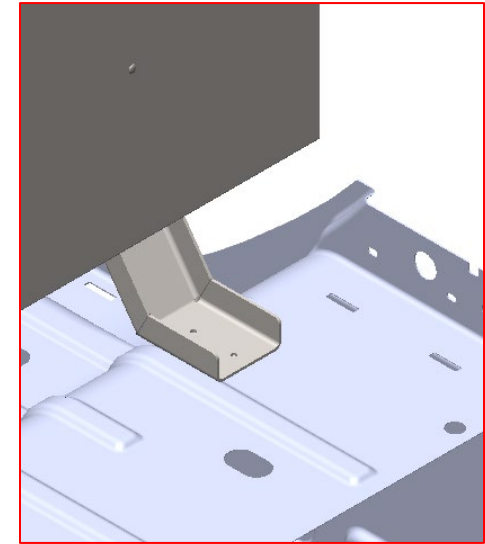
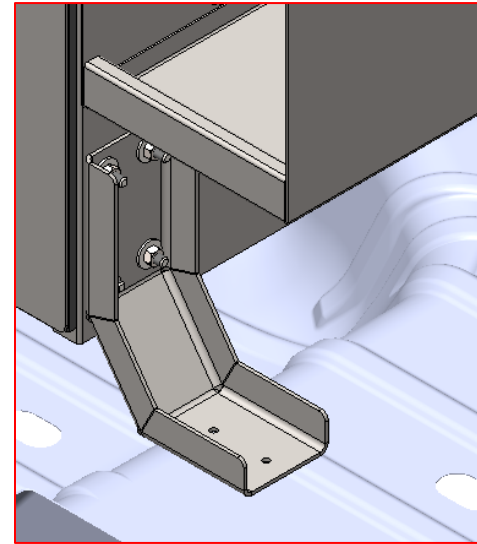
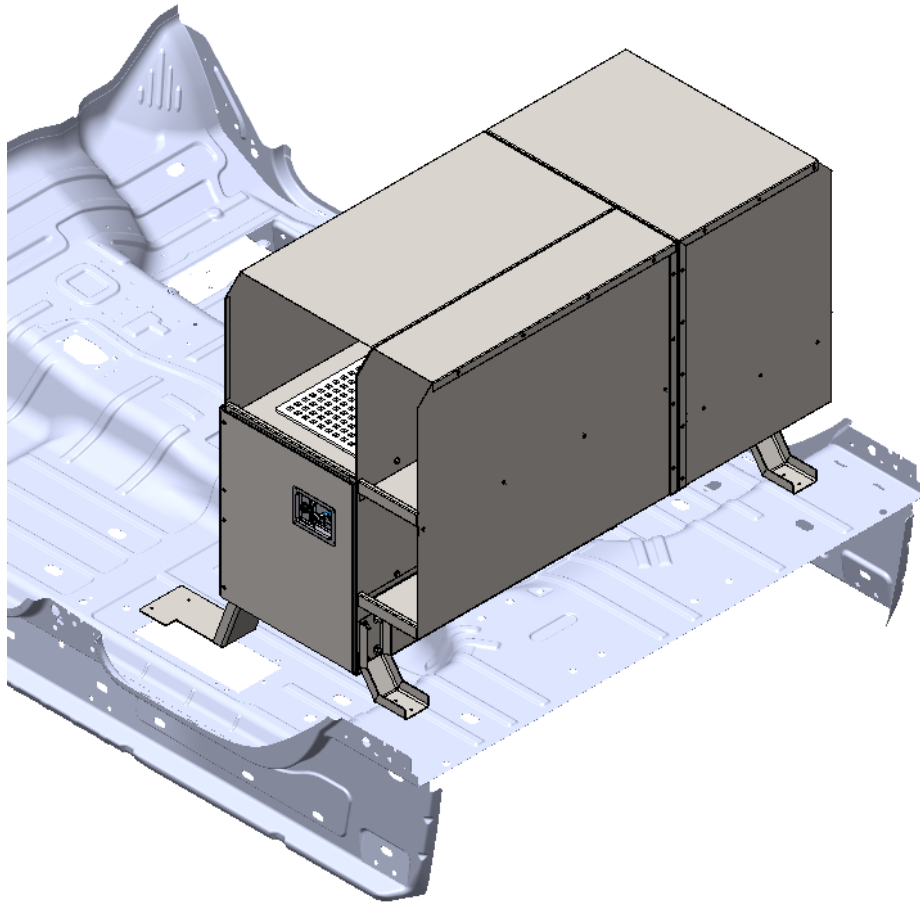


Roadside

STEP 5 :

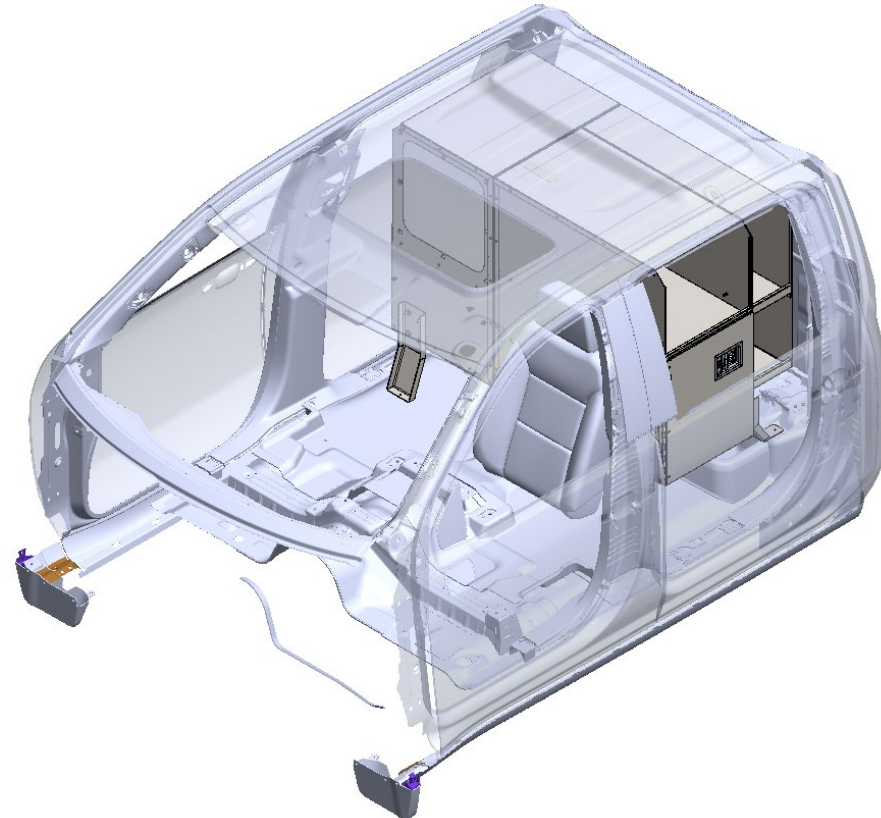
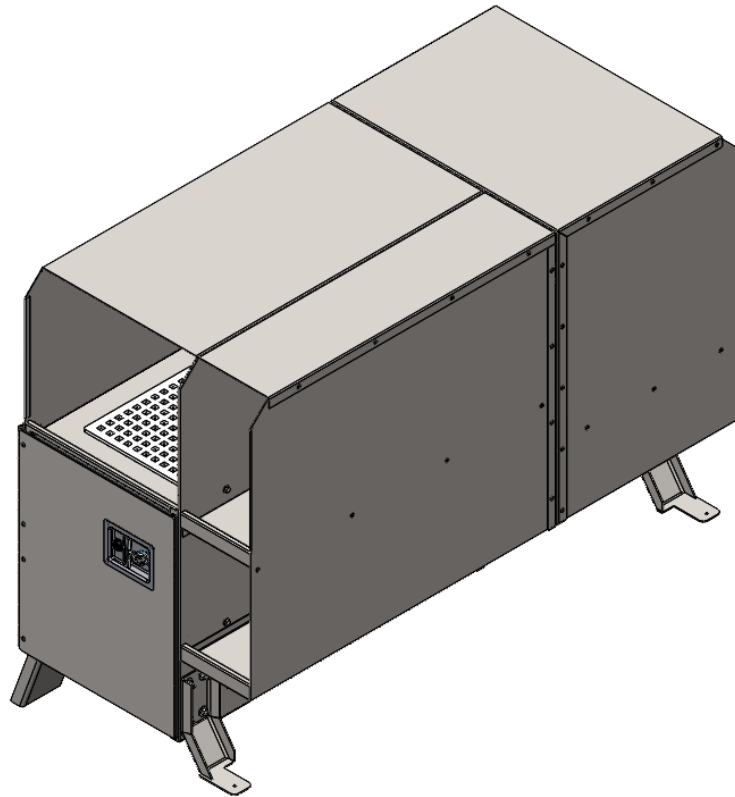
- Align the front foot holes with the holes provided on floor for cutout cover on both CS and RS side, use the suitable fasteners to mount the feet (1/4" hole provided in Foot mounting brackets).
- Confirm that the door on the RS side is square before tightening the screws.

Installing Cab Organizer In RAM

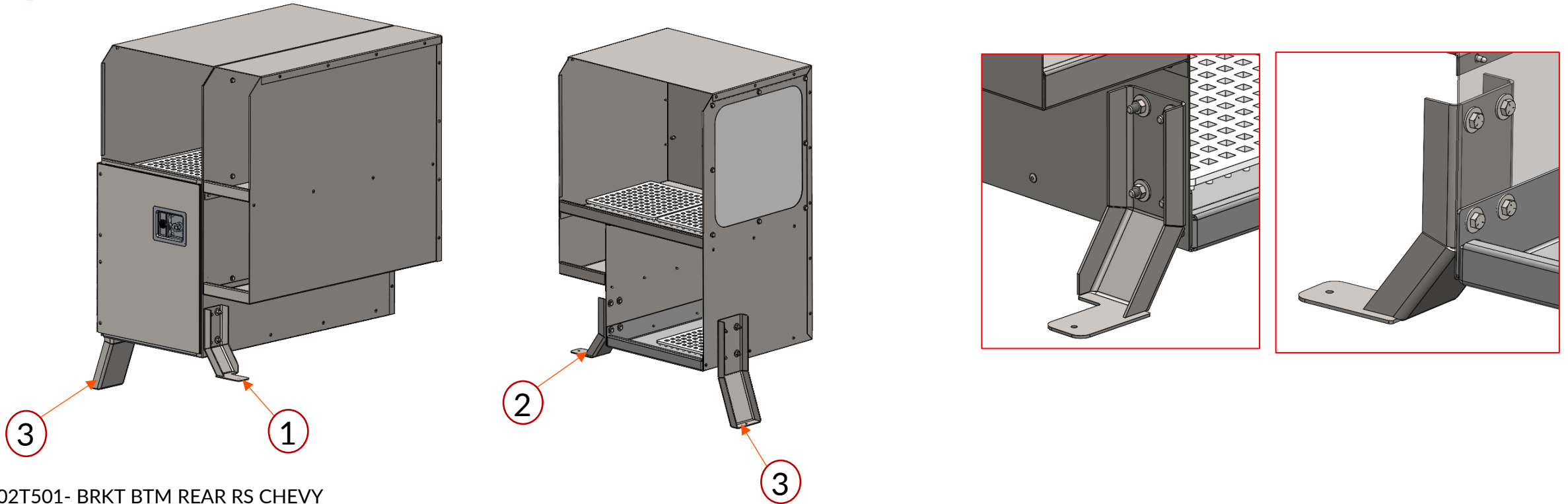


STEP 6 : After aligning the front foot mounting holes, mark the rear foot mounting holes, drill the required holes, and mount the rear foot using suitable fasteners (1/4" hole provided in Foot mounting brackets).

CHEVY CAB ORGANIZER 02T514KP



Leg Mounting on Chevy Cab Organizer 02T514KP



1. 02T501- BRKT BTM REAR RS CHEVY
2. 02T500- BRKT BTM REAR CS CHEVY
3. 02T499- BRKT BTM FRONT CHEVY

Hardware

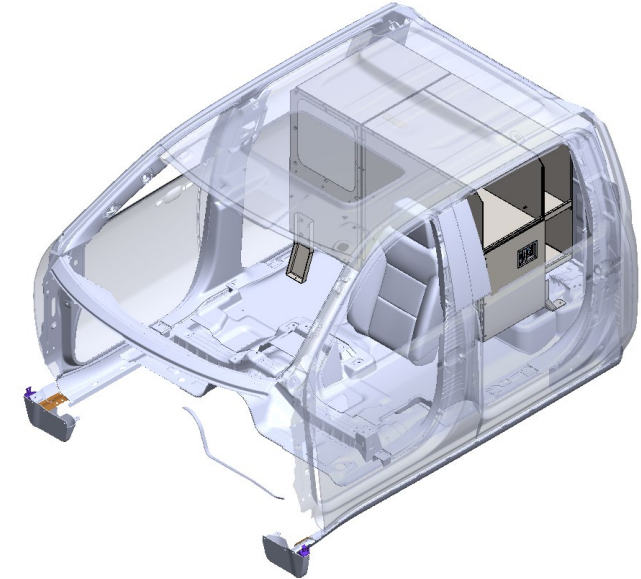
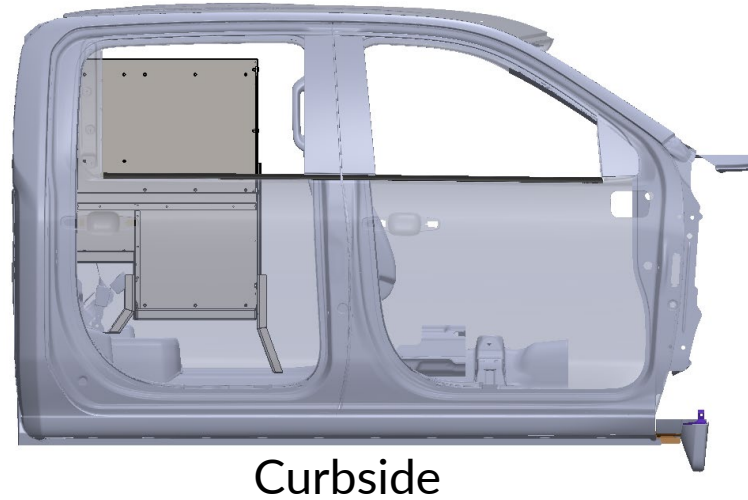
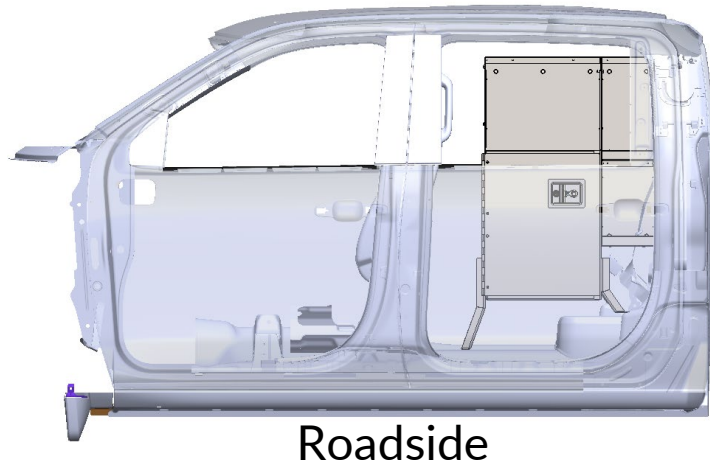
1. RM510416 (SCREW HHC 5/16-18X1.00) - 16 no's
2. RM541081(WASHER FLAT 5/16) - 32 no's
3. RM520190(NUT ESH 5/16-18)- 16 no's

STEP 1 : Assemble 02T501 & 02T499 foot mount brackets to 02T599 RS side cab organizer

STEP 2 : Assemble 02T500 & 02T499 foot mount brackets to 02T437 CS Side cab organizer

Use the specified hardware to fit the parts, ensuring that the screw heads are positioned inside the cab organizer.

Installing Cab Organizer In CHEVY

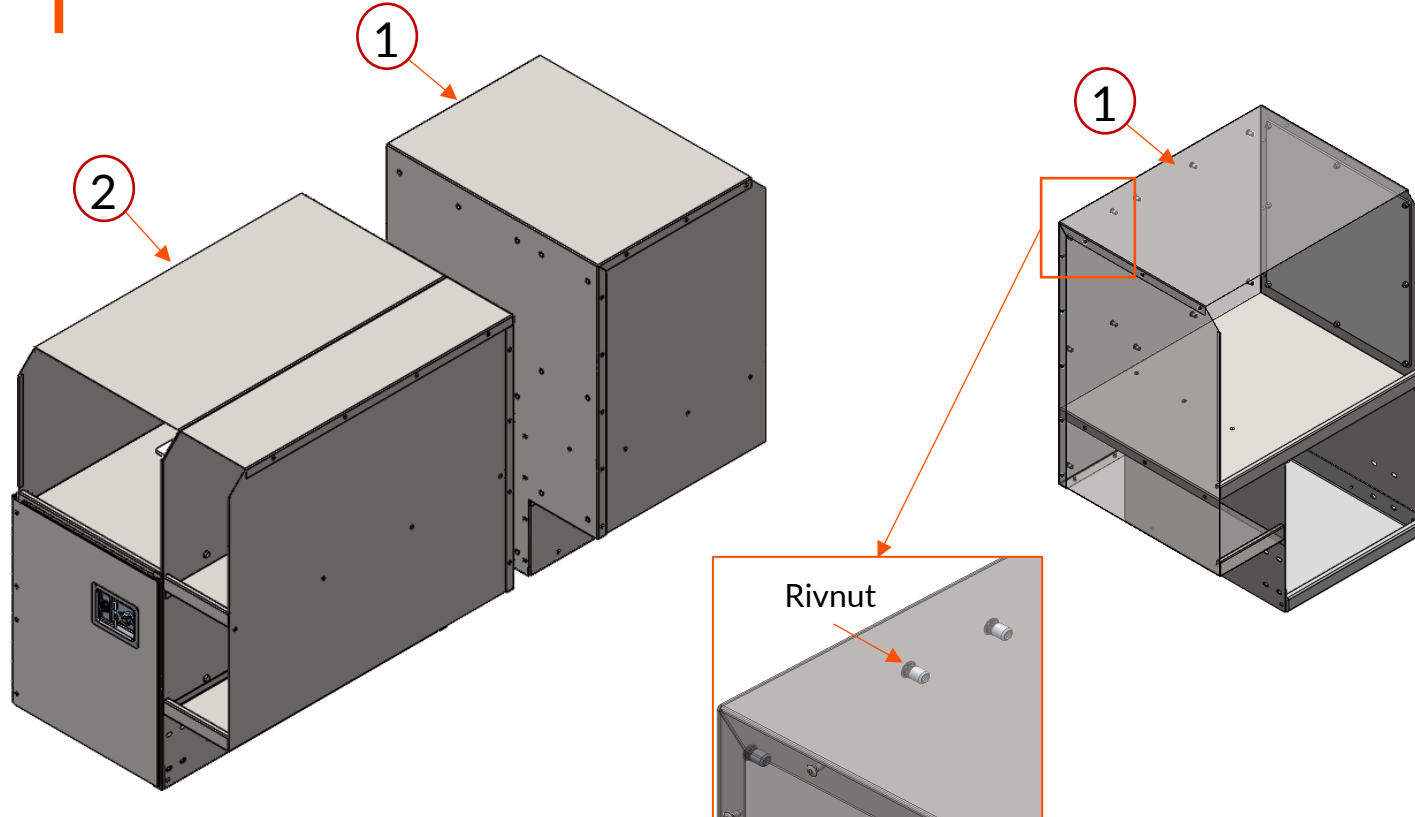


STEP 3 : Place the Roadside cab organizer (02T599_02T514) inside the CHEVY van, ensuring that the cab organizer door faces the roadside.

Make sure the Door is Square During Installation.

STEP 4 : Place the Curbside cab Organizer (02T437_02T514) inside the CHEVY van.

ASSEMBLYING 02T514 inside CHEVY

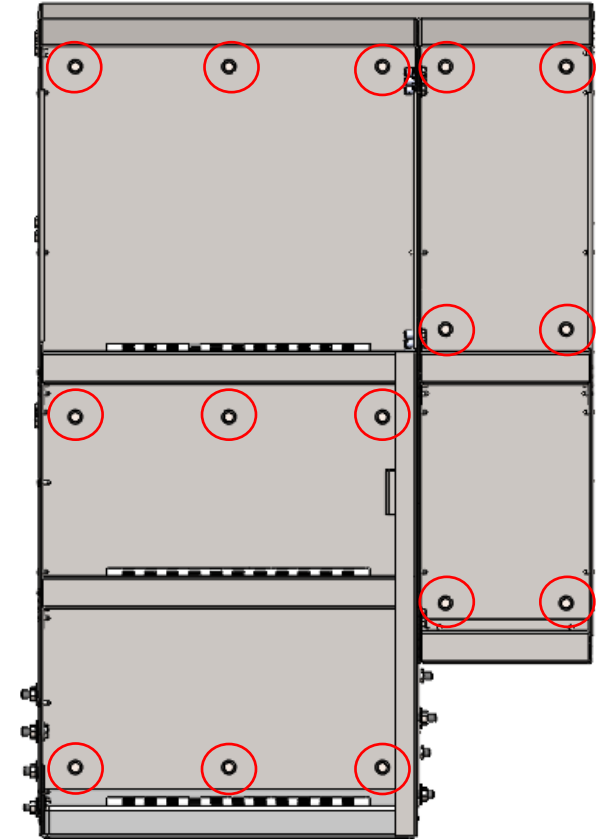


1. 02T437_COMPARTMENT ORGANIZER CS SIDE
2. 02T599_COMPARTMENT ORGANIZER RS SIDE

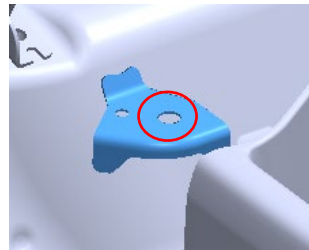
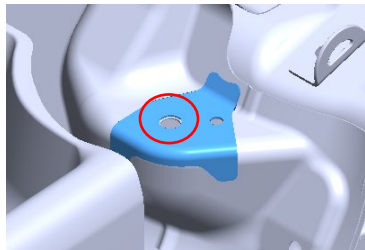
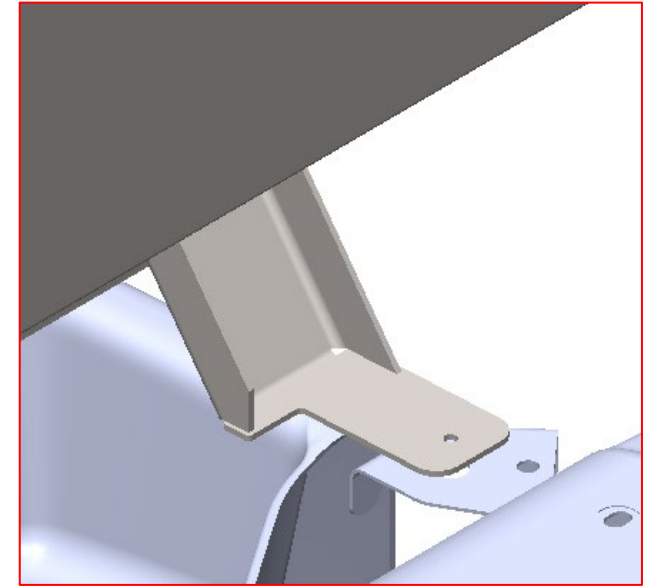
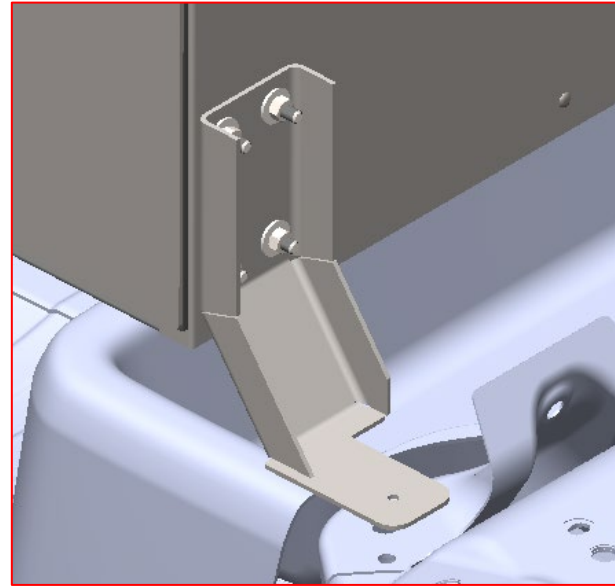
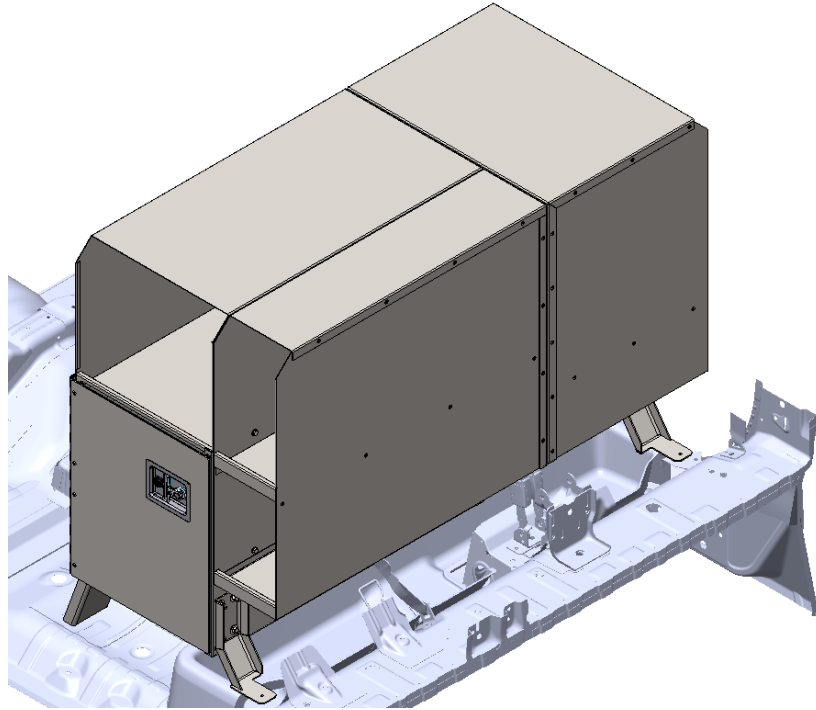
Hardware

1. RM511458(1/4-20X.75) - 15 no's
2. RM541061(WASH 0.25") - 15 no's

STEP 5 : Assemble 02T437 & 02T599 using Screw RM511458(1/4-20X.75) & washer RM541061(WASH 0.25"), Rivnut (15 no's) is already installed in 02T437 as shown in above image.



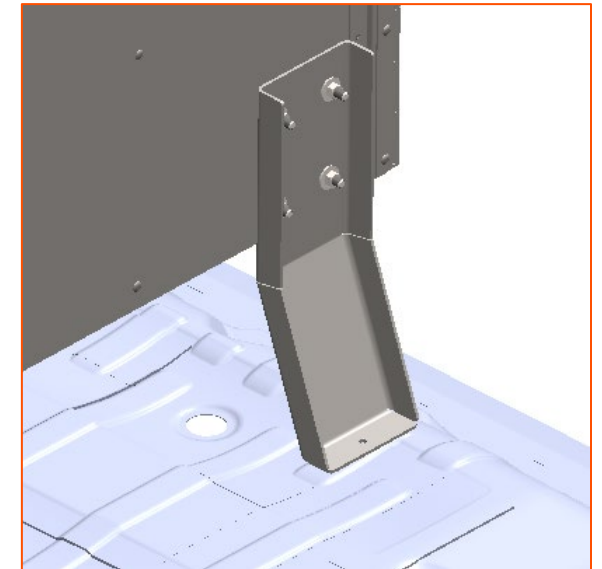
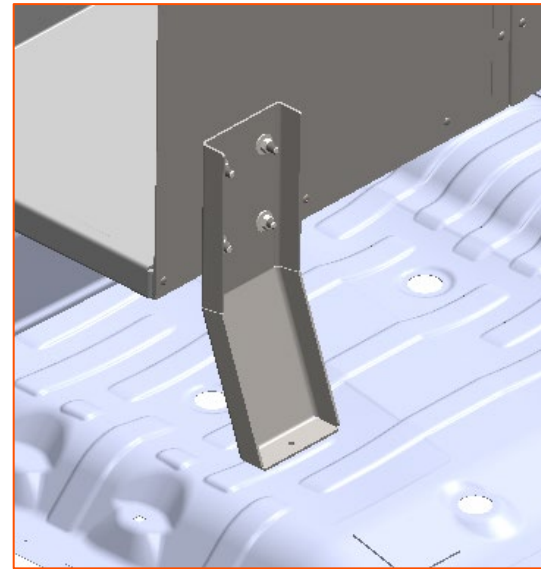
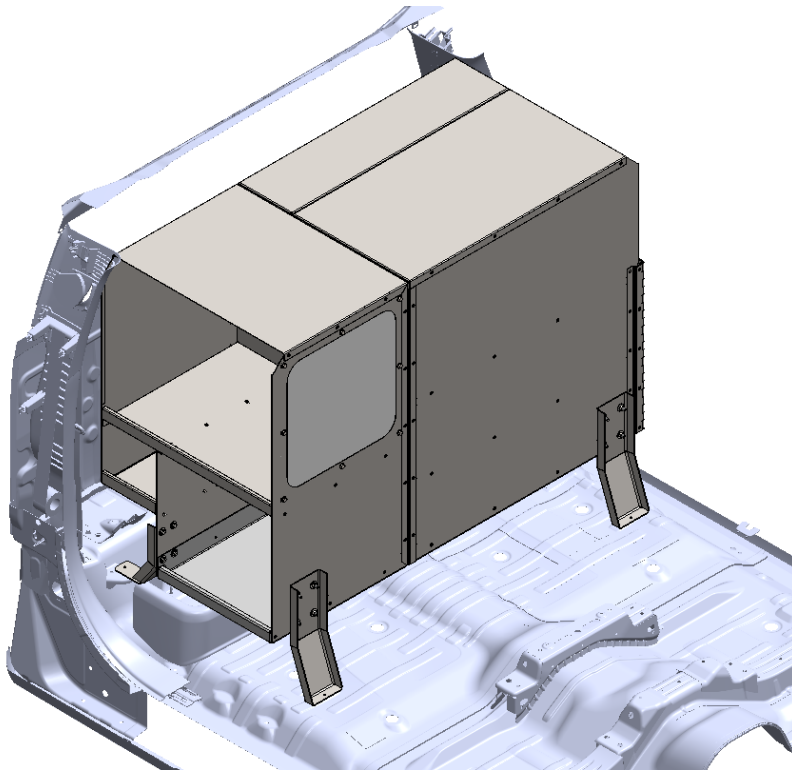
Installing Cab Organizer In CHEVY



STEP 5 :

- Align the rear foot holes with the rear seat mounting bracket holes on both CS and RS sides. Use suitable fasteners to mount the foot (1/4" holes are provided in the foot mounting brackets).
- Confirm that the door on the RS side is square before tightening the screws.

Installing Cab Organizer In CHEVY



STEP 2 : After aligning the Rear foot mounting holes, mark the front foot mounting hole position on the cab and drill the required holes. Mount the front foot using suitable fasteners (1/4" hole provided in Foot mounting brackets).