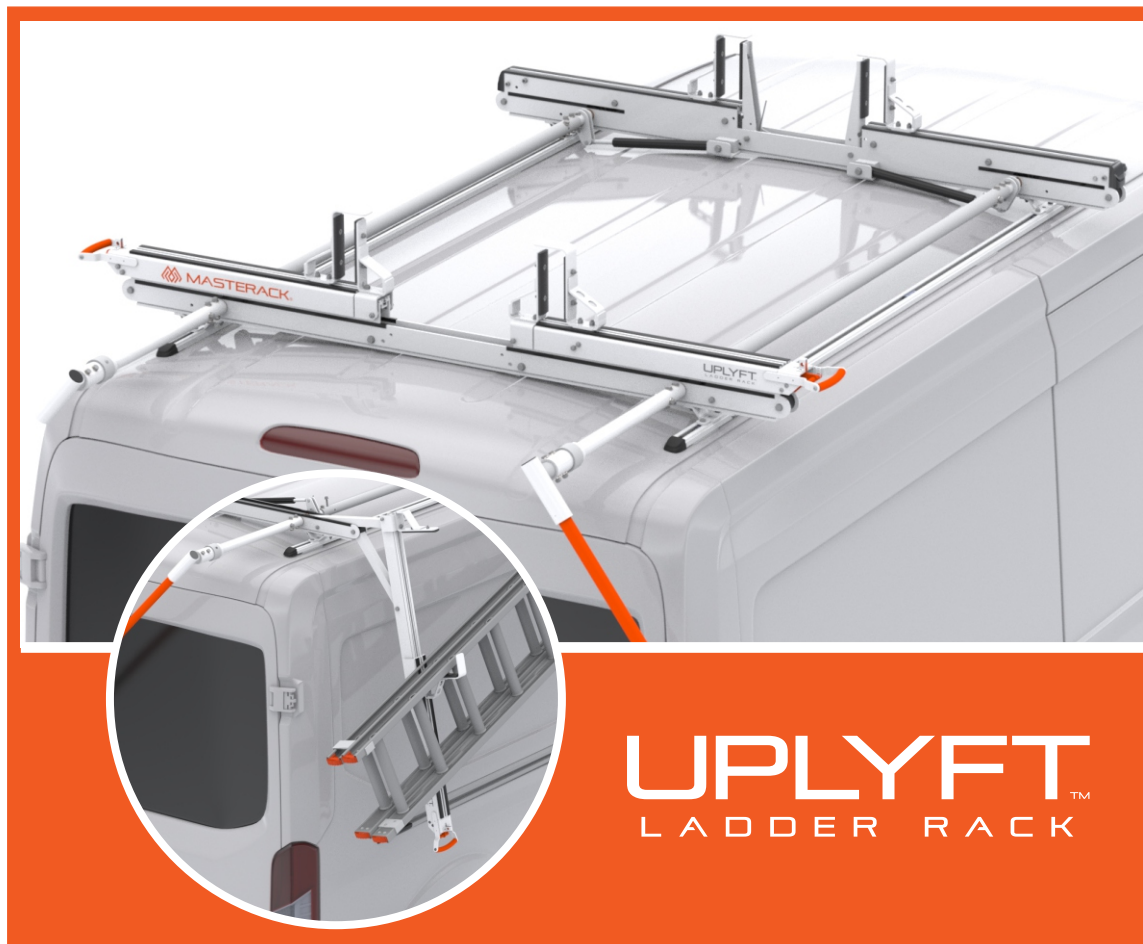


Recommended Tools



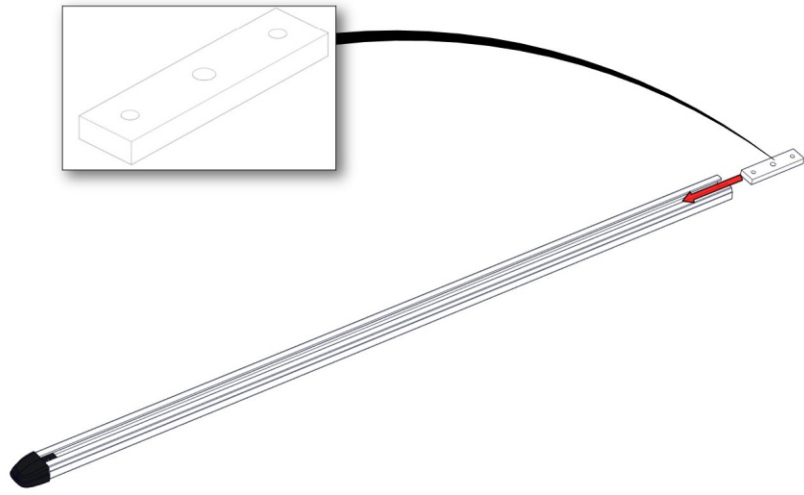
PN	DESCRIPTION	QTY
02P675	FRONT CROSS BEAM ASSEMBLIES	2
02P678	HANDLE ASSEMBLY	1
02P328	CONNECTING TUBE	1
02P393	HANDLE	1
02P112	MOUNTING RAIL	4
02P118	RECEIVER SLIDE	4
02P135	SPACER PAD	8
02P673	HARDWARE BAG	1

UPLYFT
LADDER RACK

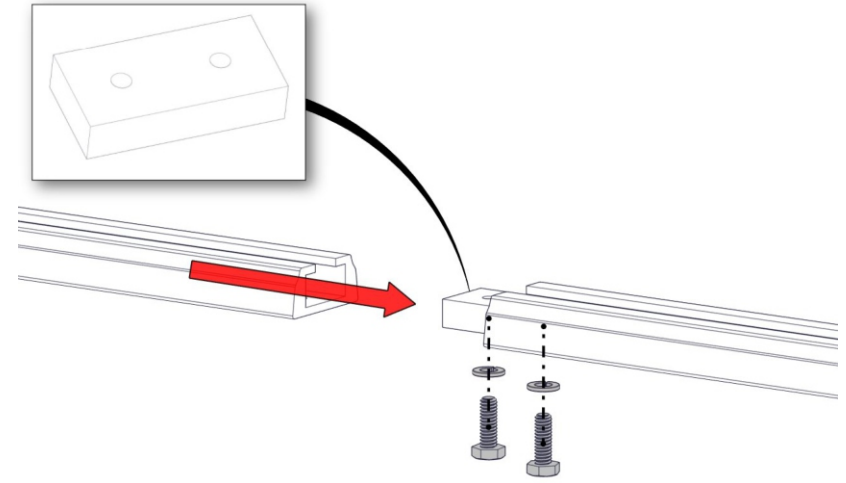
UPLYFT™ LADDER RACK SYSTEM

Before installation, review this document to ensure that all parts and hardware are included in the package.
In the event that parts are missing, please contact Masterack at 1-800-222-8785 to re-order missing parts.

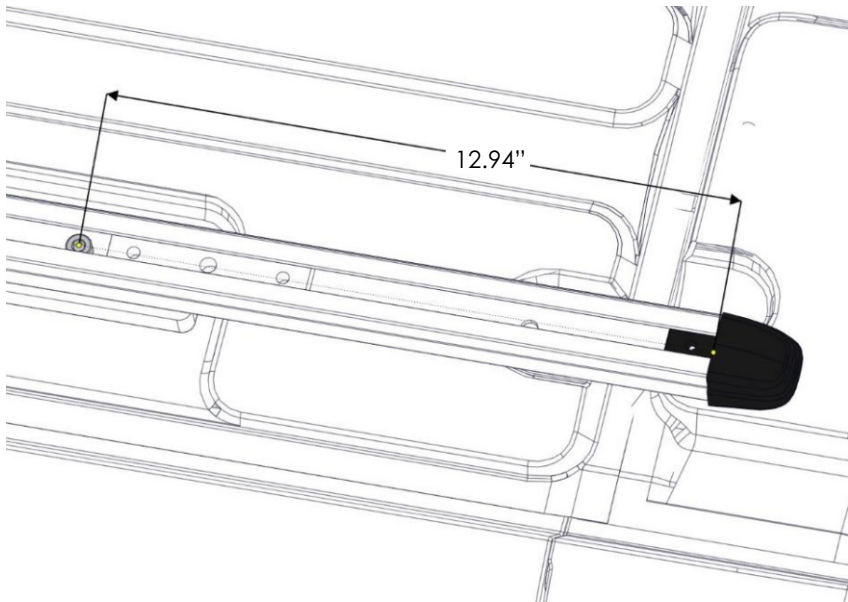
BEFORE INSTALLATION PLEASE REVIEW THIS ENTIRE DOCUMENT, UNTIL YOU ARE COMPLETELY FAMILIAR WITH ALL STEPS BEFORE BEGINNING. A "PRACTICE RUN" OF THESE STEPS/PROCEDURES MAY BE HELPFUL TO ASSIST YOU IN FAMILIARIZING YOURSELF THOROUGHLY AND AVOID COSTLY ERRORS.



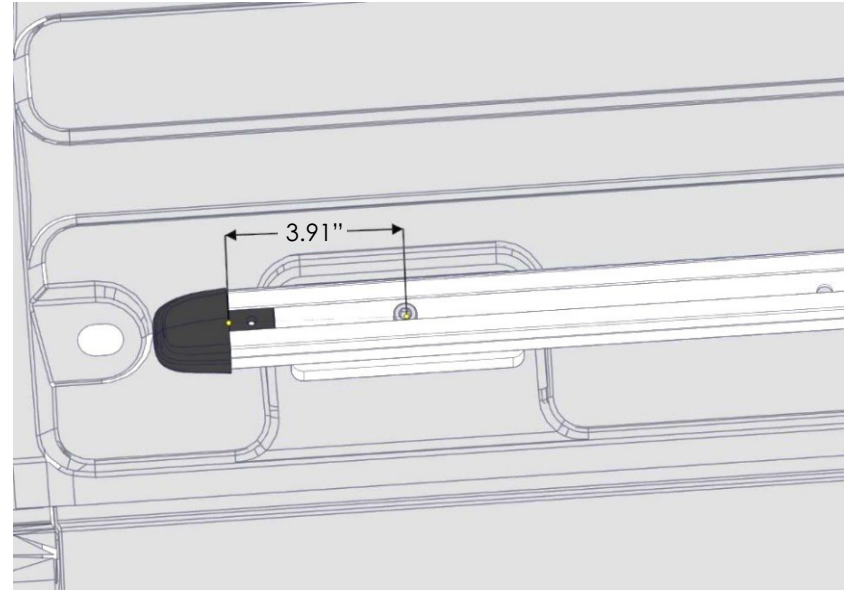
Step 1.
Slide receiver block (02P118) into each of the 4 mounting rails (02P112)



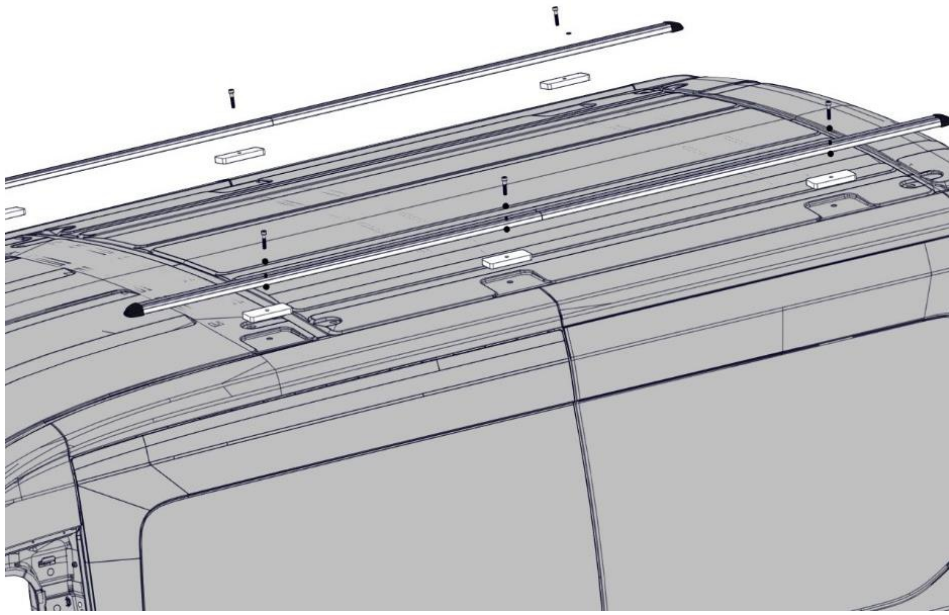
Step 2.
Slide joining block (02P125) into channels. Fasten with 1/4" lock washers and 1/4" X 1" hex bolts. Tighten with 7/16" wrench.



Step 3. (130" Wheel Base)
Starting with the rear bolt, use the 2nd hole from the end,
Located approx. 13" from the end



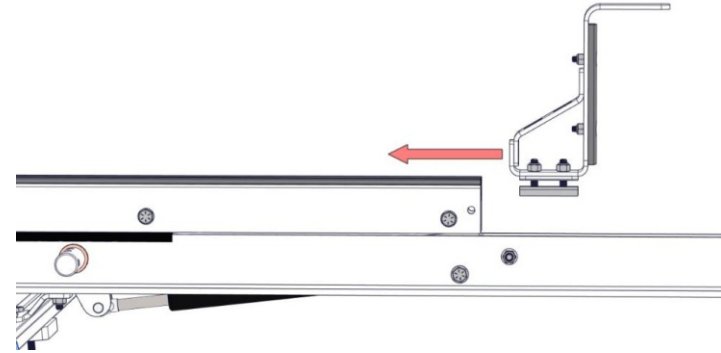
Step 3. (148" Wheel Base)
Starting with the rear bolt, use the 1st hole from the end, located
approx. 4" from the end



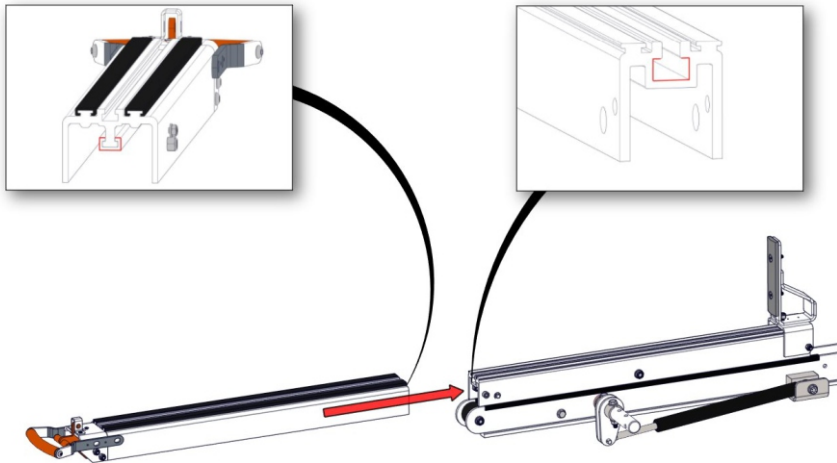
Step 4.
Fasten rails using 8 X 40MM socket cap screws (02P332) with nylon spacers (02P135) in between rail. Use the 6mm Allen wrench to tighten bolts.



Step 5.
Slide ladder stop (02P665) inside drop down, and tighten with 9/16 socket or wrench



Step 6.
Slide ladder stop (02P664) tighten bolts using 9/16 socket or wrench

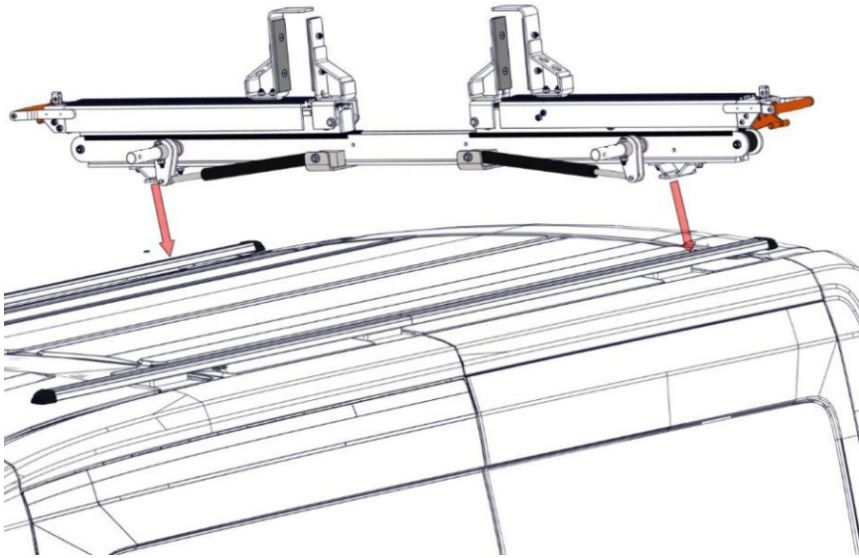


Step 7.
Slide the drop down assembly onto the crossbow by lining up the extrusion and sliding into place.

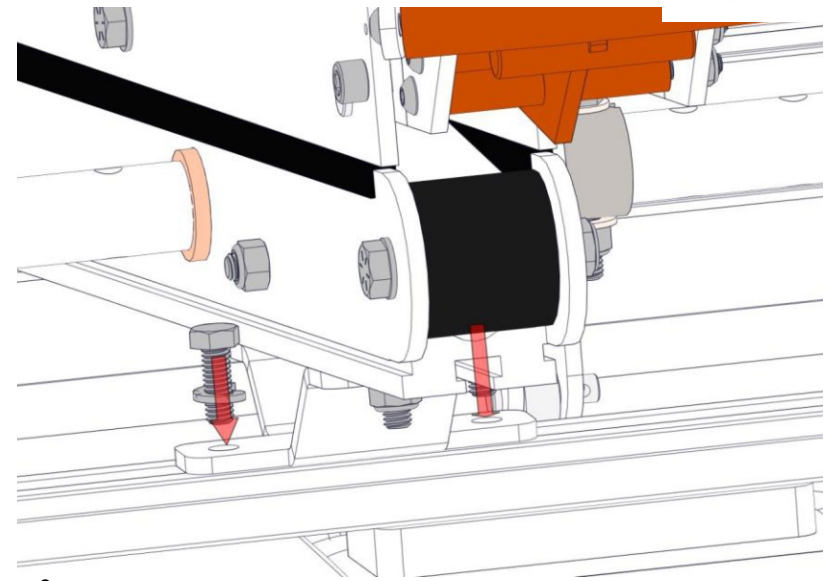
IMPORTANT TO NOTE:

A BLUE sticker indicates the FRONT Crossbow (02P326, 02P679) ●

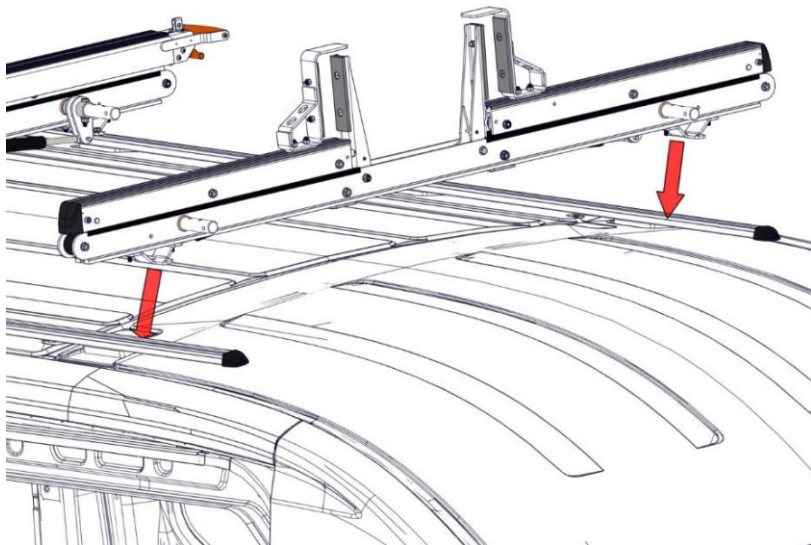
A GREEN sticker indicates the REAR Crossbow (02P325, 02P678) ●



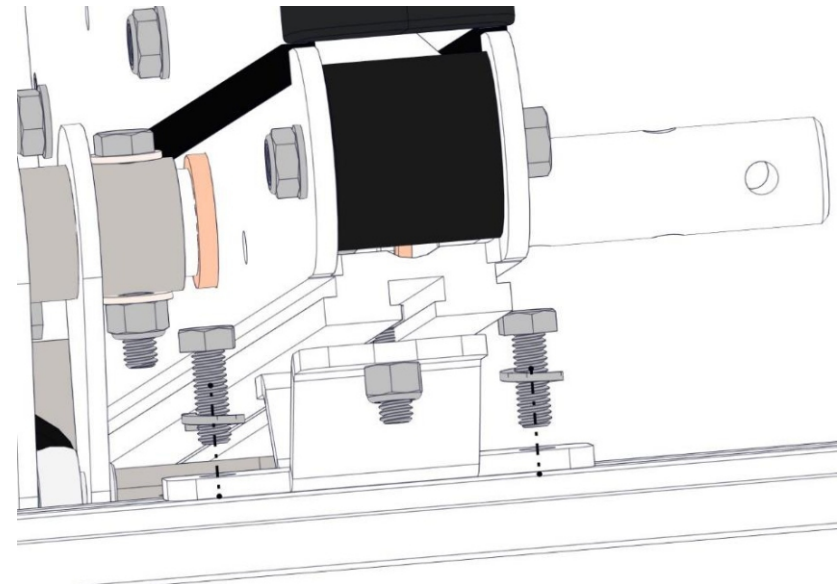
Step 8.
Lay rear crossbow across mounting rails



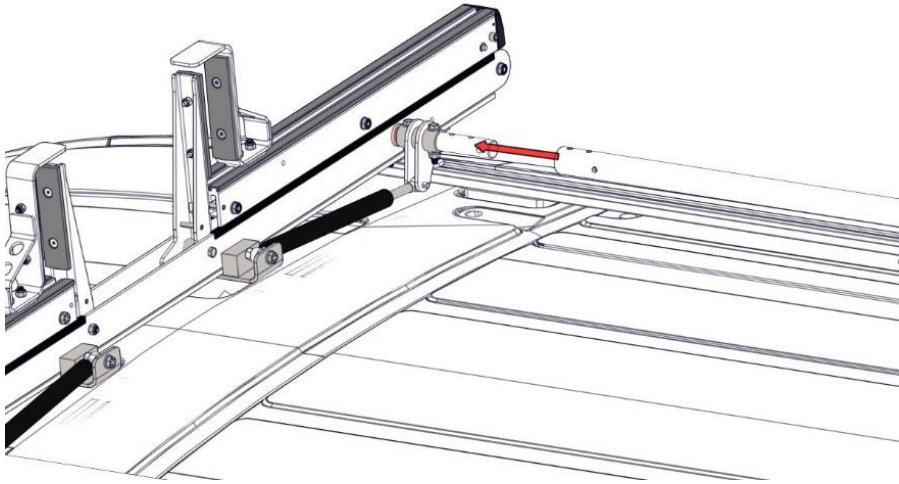
Step 9.
Install 5/16 X 7/8 bolts (4) with lock washers (4) through crossbow mounts into receiver blocks and apply sealant to bolts **Do not tighten**



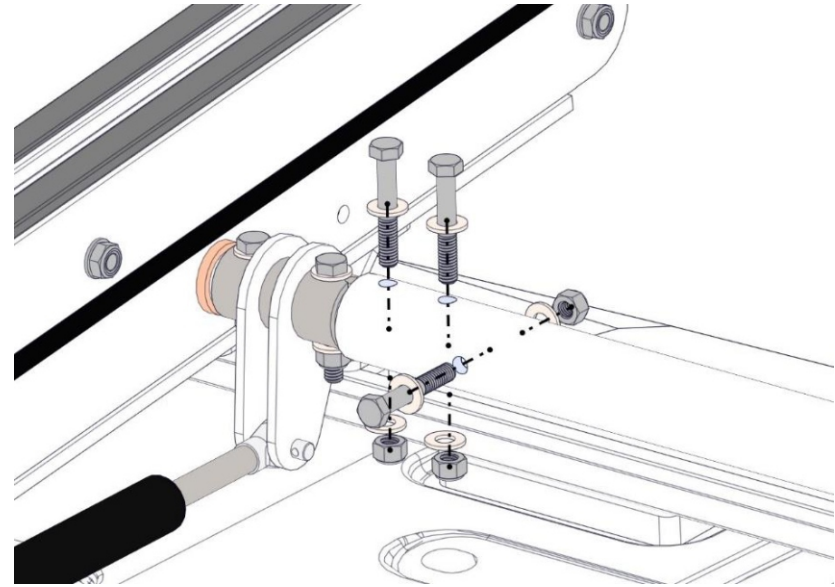
Step 10.
Lay front crossbow across mounting rails



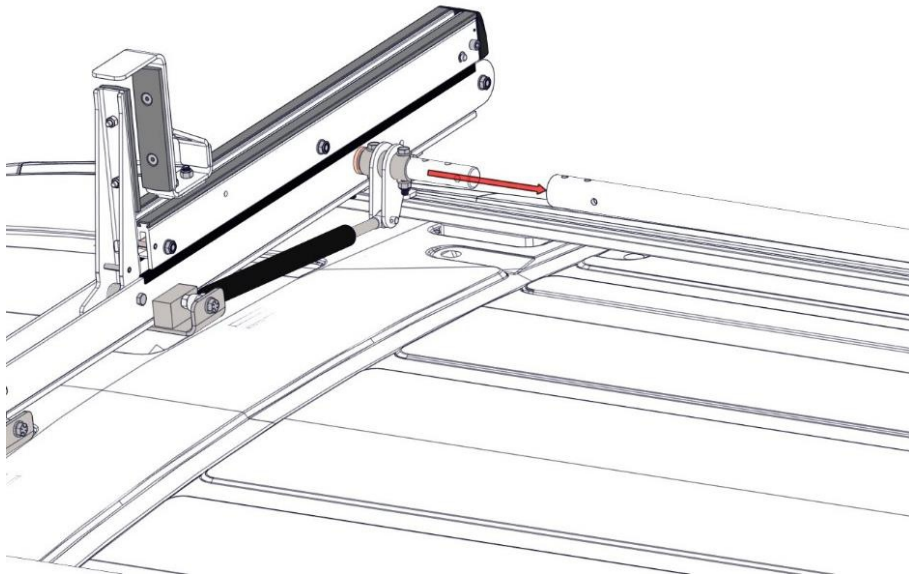
Step 11.
Install 5/16 X 7/8 bolts (4) with lock washers (4) through crossbow mounts into receiver blocks and apply sealant to bolts **Do not tighten**



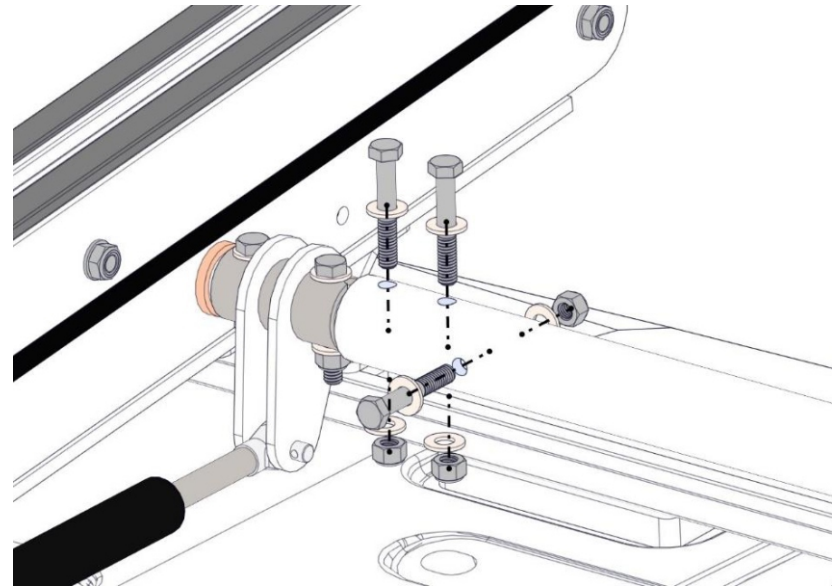
Step 12.
Slide Connecting tubes (02P328) into front crossbow. Line holes up with crossbow rod and connecting tube



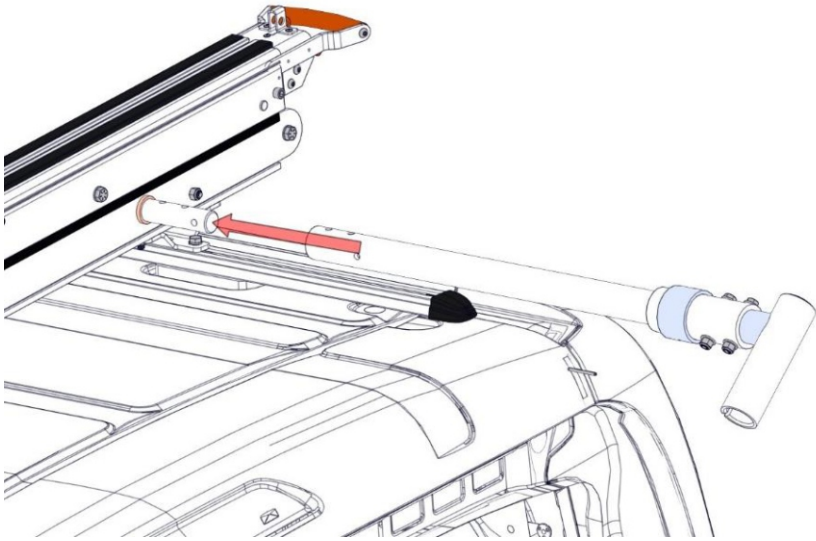
Step 13.
Install connecting tubes with 5/16" X 2 - 1/2" fasteners (6) & washers (12) and apply seize to bolts



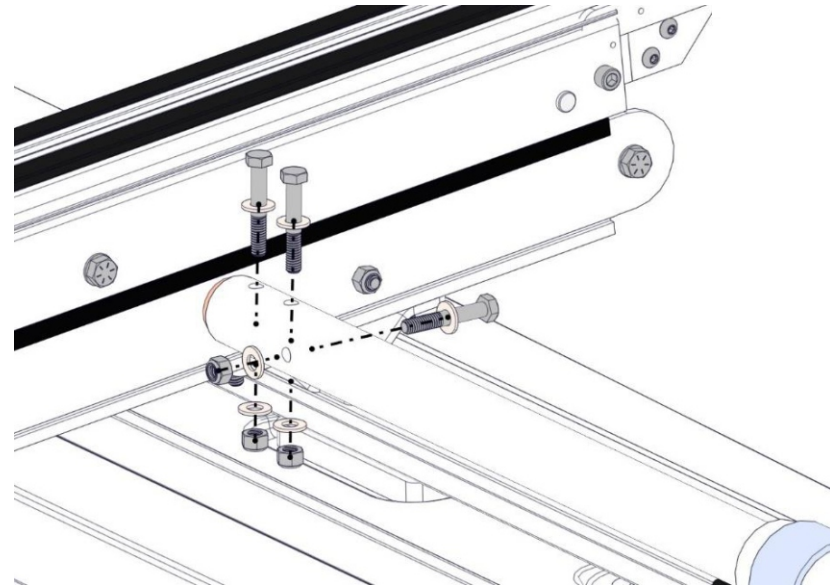
Step 14.
Slide rear crossbow into connecting tubes



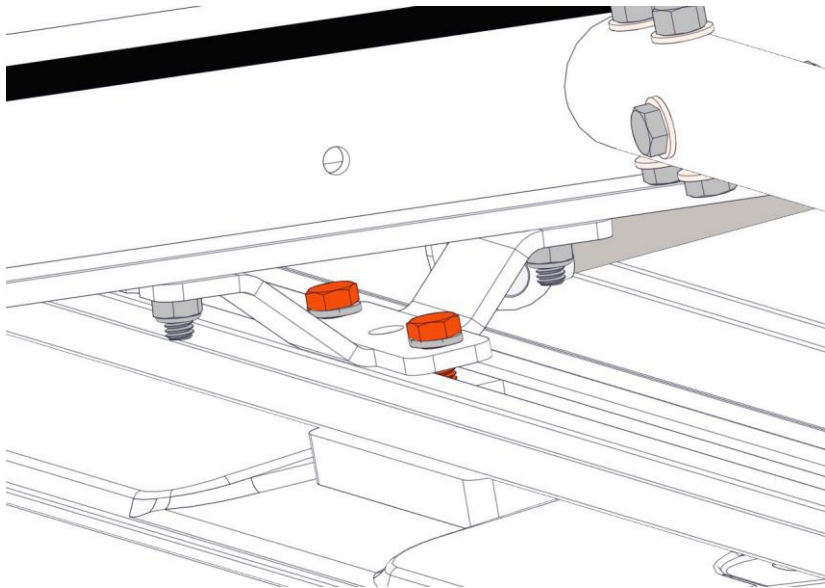
Step 15.
Install connecting tubes with 5/16" X 2 - 1/2" fasteners (6) & washers (12) and apply seize to bolts



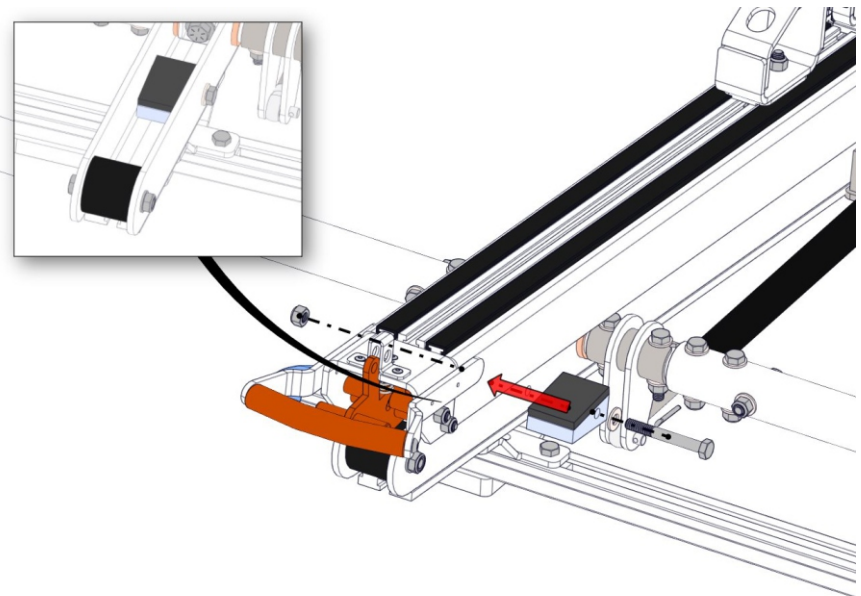
Step 16.
Install handle assembly into rear crossbow



Step 17.
Fasten handle with 5/16 X 2-1/2 bolts (6) and washers (12) and apply seize to bolts



Step 18.
Tighten crossbow bolts



Step 19.
Install ladder stops (2) on curbside crossbows using 5/16" x 2-1/2" bolts, washer, bumper stop and nut and tighten with a 1/2" wrench

5 Year / 60,000 Mile Limited Warranty

MASTERACK® commercial van and pickup equipment is warranted to be from defects in material and workmanship, under normal use and service for a period of one (1) year from date of purchase. Factory installations, and products installed in new vehicles by an authorized MASTERACK® installer are warranted for (5) years or 60,000 miles (96,500 KM), whichever comes first. **This warranty covers only repairs, or at MASTERACKS' discretion, replacement to correct any defects related to materials and workmanship.**

This warranty does not apply to:

- Additions, alterations, or installations made by persons including dealers, other than MASTERACK® and its authorized distributors, made in accordance with MASTERACK® specifications and / or instructions, nor to defects arising out of attribute to such additions, alterations or installations.
- Defects attributable to abuse or misuse of the product, misapplication, negligent accident, modification or tampering.
- Damage resulting from failure to promptly notify and comply with the instructions of the dealer or manufacturer about defects when noted.
- Any incidental or consequential damages connected with a defect, either while under warranty or afterward, including the cost of a rental truck and / or loss or revenue.

THE WARRANTY IS THE ONLY WARRANTY APPLICABLE TO A MASTERACK PRODUCT PURCHASE. ALL OTHER WARRANTIES, EXPRESSED OR IMPLIED, INCLUDING BUT NOT LIMITED TO, THE IMPLIED WARRANTIES OR MERCHANTABILITY AND FITNESS FOR A PARTICULAR PURPOSE ARE DISCLAIMED. MASTERACK® AND ITS SUBSIDIARIES, SHALL NOT BE LIABLE FOR ANY INCIDENTAL OR CONSEQUENTIAL DAMAGES ARISING OUT OF ANY BREACH OF THIS WARRANTY, NOR SHALL THE DAMAGES EXCEED THE RETURN AMOUNT OF THE PURCHASE PRICE PAID BY THE ORIGINAL PURCHASER.

Warranty claims must be submitted to either your sales representative or a customer service representative at **1-800-222-8785**. The vehicle must be delivered to the original MASTERACK® authorized dealer for inspection and any warranty service. Any warranty service to be performed by a source other than MASTERACK® location or an approved MASTERACK® distributor must be authorized in advance of the repairs by the MASTERACK® Warranty Administrator and a purchase order issued by MASTERACK® in advance or repairs for the authorized repairs.