

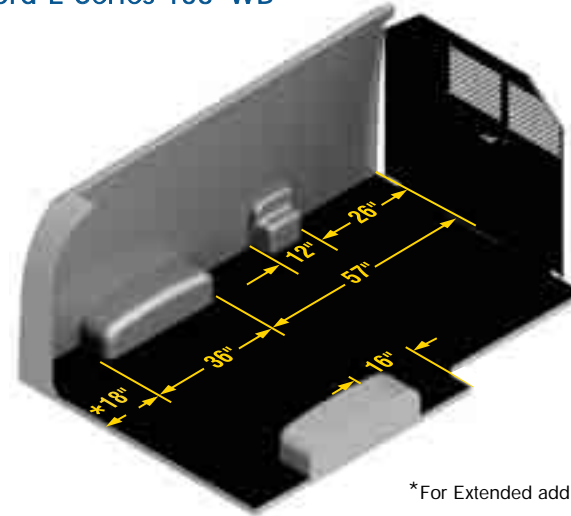
VEHICLE LAYOUT GUIDE

Maximize space and efficiently organize your work van.

- > Refer to the layout guides to determine which modules will fit the space available.
- > Most modules are designed to span the wheelhouses and fuel filler. Solid back modules and cabinets placed in these areas will reduce aisle space.
- > Tapered modules are contoured to fit the sides of full size vans. Other vans use standard modules.
- > Additional shelves, cabinets, and accessories can be added to any module or interior package to meet specific requirements.

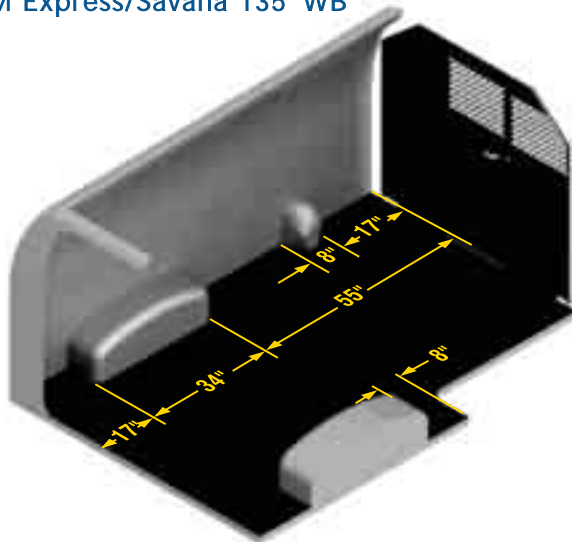
Modules up to 36" High will fit minivans
 Modules up to 44" High will fit Astro/Safari vans
 Modules up to 48" High will fit full size vans
 Modules up to 60" High will fit Sprinter vans

Ford E-Series 138" WB

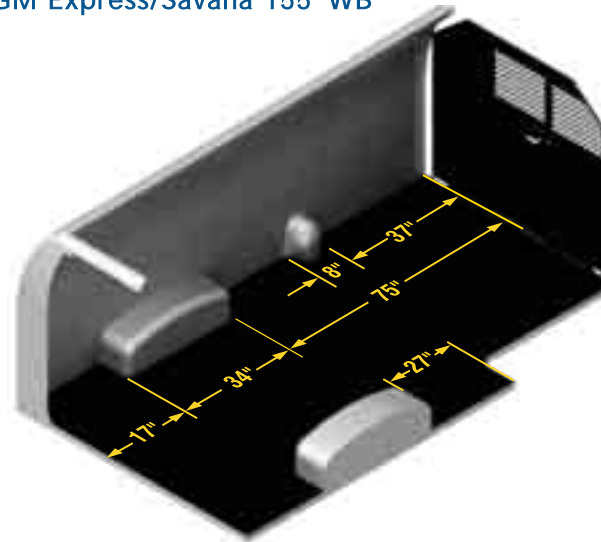


*For Extended add 20"

GM Express/Savana 135" WB



GM Express/Savana 155" WB



Assembly and installation

Masterack interior kits, modules, and accessories are shipped complete with hardware and instructions for assembly and installation.

The hardware provided includes high grade bolts, self locking nuts, and specific blind fasteners. Substitutions are not recommended.

Whenever possible, equipment should be securely fastened to the vehicle with bolts and nuts provided. Blind fasteners may be used when access is limited. Always tighten fasteners to the recommended torque specifications.

Before drilling the vehicle, always check for the location of fuel tank and fuel lines, brake lines, and electrical equipment that may be hidden from view.

Equipment installed in the vehicle will affect the GVW of the vehicle. To determine proper payload capacity, check the manufacturer's specifications found in the vehicle owners manual.

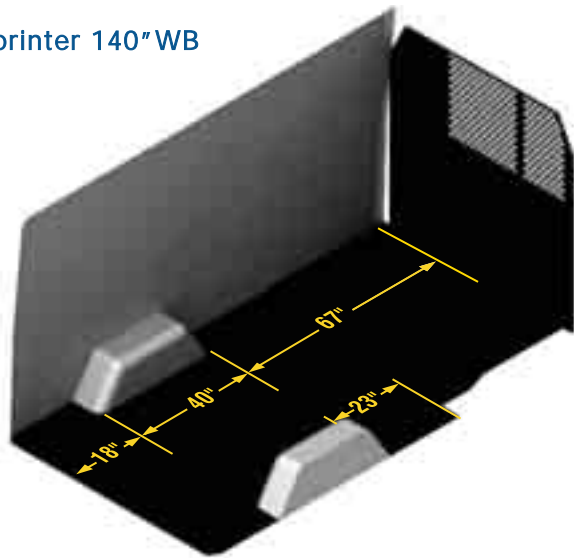


Universal Attachment Brace
 027651 Set of six with fasteners

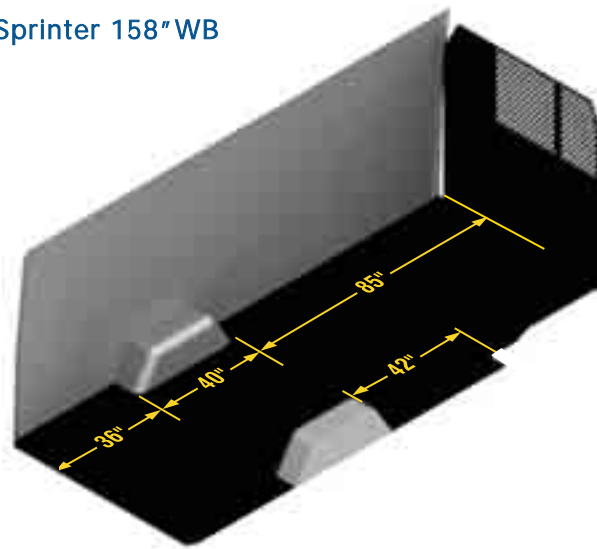
Heavy Duty T-Bracket
 027652 Set of six with fasteners

Additional mounting brackets are available to further secure drawers, cabinets, and shelving to the vehicle. Universal attachment braces can be used almost anywhere; cut and bend to fit as necessary. Heavy-duty T-brackets can be used to reinforce modules to the side walls of the van for severe-duty applications. Fasteners included.

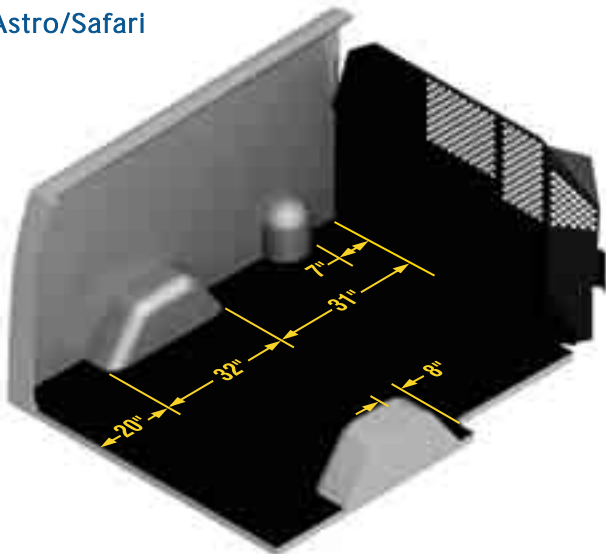
Sprinter 140"WB



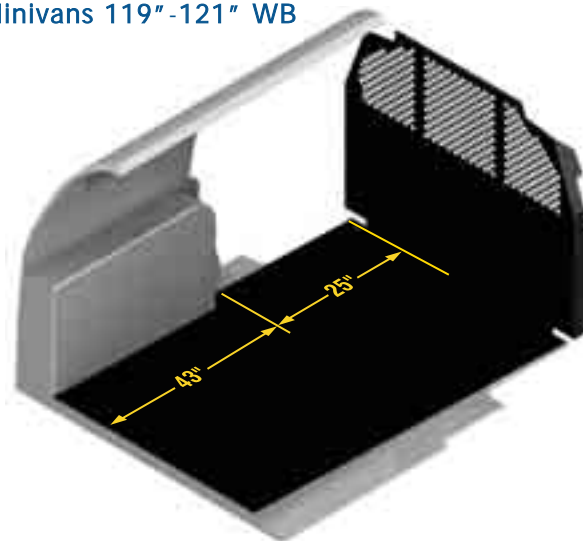
Sprinter 158"WB



Astro/Safari



Minivans 119"-121" WB



Automotive grade touch-up paint
Matches original equipment color.
0.6 FL. OZ.

- 027648 White touch-up
- 027649 Gray touch-up
- 027650 Satin Black touch-up



THE LEGGETT & PLATT COMMERCIAL VEHICLE PRODUCTS FAMILY OF COMPANIES
CAN MEET ANY COMMERCIAL FLEET OR SPECIALIZED VEHICLE NEED.

masterack CROWN
Commercial Vehicle Products
PO Box 100055
Atlanta, GA 30348
800 / 334-4183

masterack CROWN
OEM Sales
Detroit, MI
Wooster, OH
800 / 321-4934

masterack Canada
Canadian Fleets
30 Rolark Dr.
Scarborough, ONT
Canada M1R 4G2
888 / 867-4545

Team Fenex
Mobile Power Equipment
610 Illinois Ave
Sandoval, IL 62882
800 / 88FENEX