

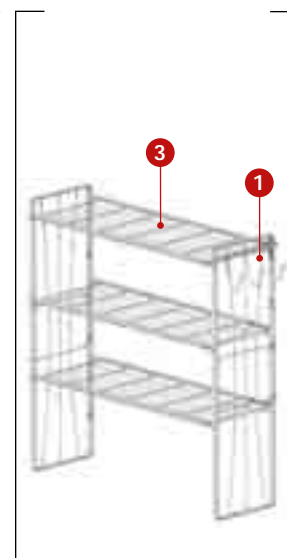
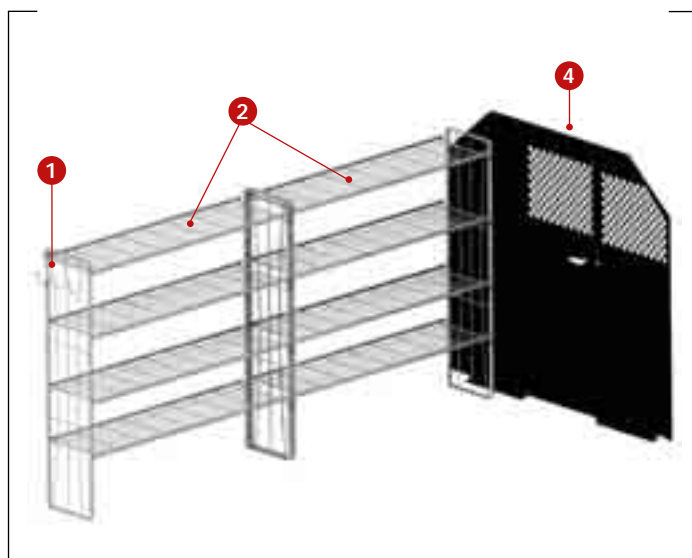
# COMMERCIAL VAN INTERIOR PACKAGES

## ADJUSTABLE WIRE INTERIOR SYSTEMS

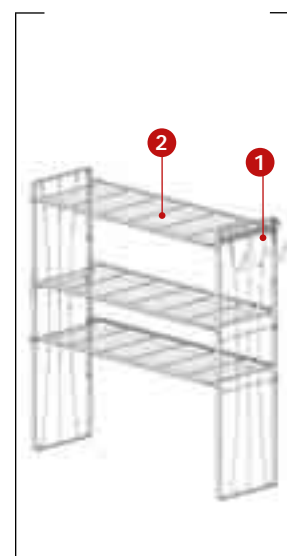
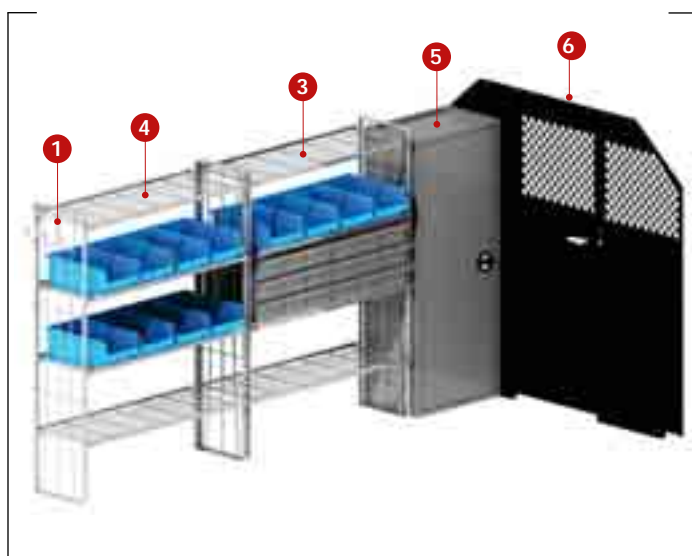
Exclusive welded wire shelving systems are extremely strong, yet lightweight. Popular configurations for every vehicle, for every need.



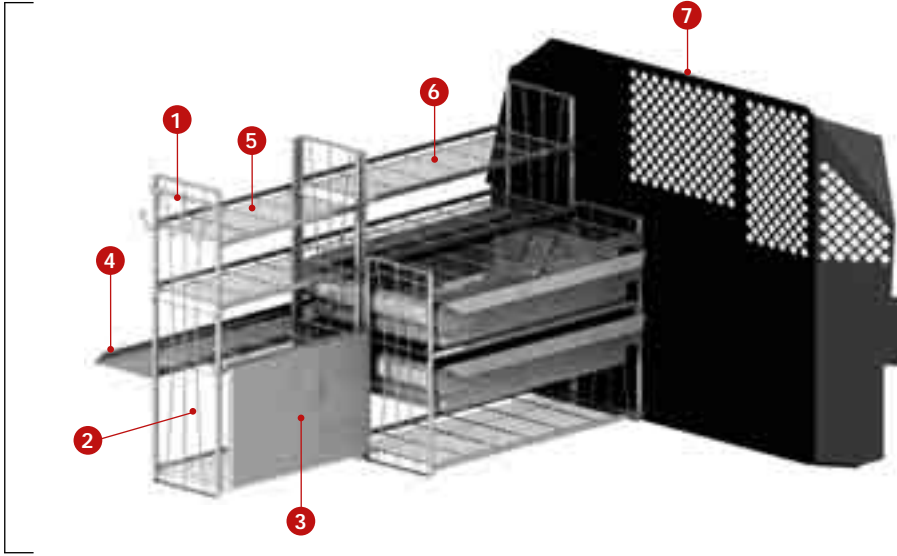
Utility Shelving Package				
> Full Size Vans				
PACKAGE #020098				
Item #	Description	Qty	Page	
1	020204 Triple Hook Assembly	2	44	
2	021545 Wire Shelving Module 48"H x 49"W x 12"D	2	44	
3	021552 Wire Shelving Module 39"H x 37"W x 12"D	1	44	
4	027088 Partition w/Door SL-HM-PR	1	27	
5	Note	1	27	Partition Attachment Panels* Must Specify Vehicle Make



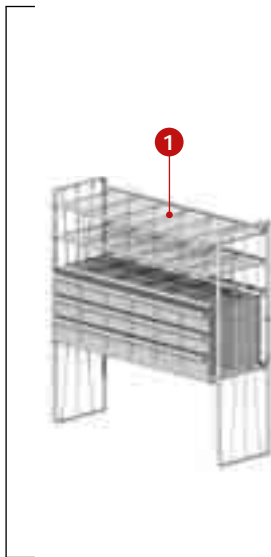
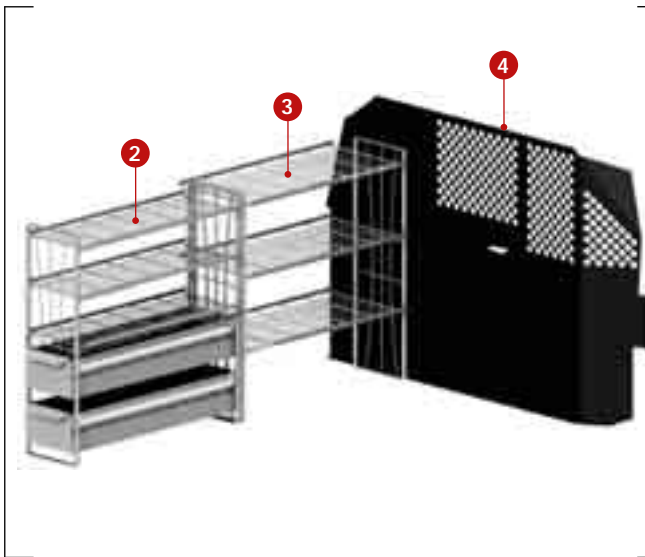
General Service Package				
> Full Size Vans				
PACKAGE #027599				
Item #	Description	Qty	Page	
1	020204 Triple Hook Assembly	2	44	
2	021552 Wire Shelving Module 39"H x 37"W x 12"D	1	44	
3	021568 Parts Drawer/Tote Bin Module 48"H x 37"W x 12"D	1	45	
4	021570 Tote Bin Storage Module 48"H x 37"W x 12"D	1	45	
5	025841 Storage Cabinet 46"H x 18.5"W x 12"D	1	37	
6	027088 Partition w/Door SL-HM-PR	1	27	
7	Note	1	27	Partition Attachment Panels* Must Specify Vehicle Make



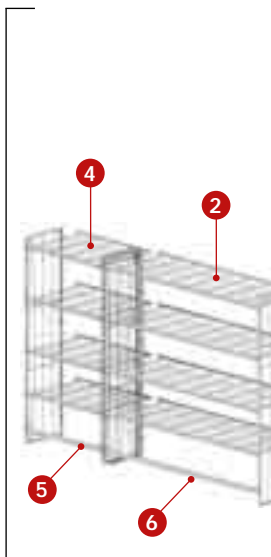
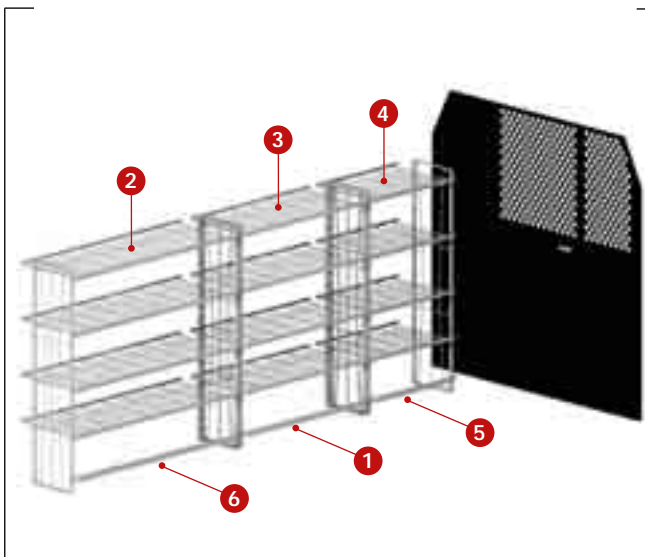
\*Not Shown



Telecom/Cable Installer Package			
> Full Size Vans or Astro/Safari Vans			
PACKAGE #022391			
Item #	Description	Qty.	Page
1	020204 Triple Hook Assembly	1	44
2	021240 Shelf Back 39"H x 25"W	1	44
3	021741 Tool Box Door 18"H x 24"W	1	—
4	027501 Step Ladder Slide	1	39
5	027603 Wire Shelving Module 44"H x 25"W x 12"D	1	44
6	027645 Step Down Drawer Module 44"H x 37"W x 24"D	1	45
7	Note Partition SL-PM-PR Specify make and model	1	27



PHVAC Contractor Package			
> Full Size Vans or Astro/Safari Vans			
PACKAGE #027600			
Item #	Description	Qty.	Page
1	020096 Parts Cabinet Module 39"H x 37"W x 12"D	1	45
2	021565 Rear Pull Out Drawer Module 44"H x 37"W x 12"D	1	45
3	027608 Wire Shelf Module 44"H x 37"W x 16"D	1	44
4	Note Partition SL-PM-PR Specify make and model	1	27



General Delivery Package			
> Sprinter Vans or Walk-In Vans			
PACKAGE #026429			
Item #	Description	Qty.	Page
1	020718 Shelf Retainer (Pair) 37"W	1	44
2	021548 Wire Shelf Module 48"H x 49"W x 16"D	2	44
3	021549 Wire Shelf Module 48"H x 37"W x 16"D	1	44
4	021550 Wire Shelf Module 48"H x 25"W x 16"D	2	44
5	024099 Shelf Retainer (Pair) 25"W	1	44
6	024100 Shelf Retainer (Pair) 49"W	1	44

Note: Partitions not included as part of package. Refer to page 27 ordering guide.